

# Instructions

Multispectrum IR Flame Detector with Pulse Output  
Model X3301



# Table of Contents

DESCRIPTION . . . . .	1	TROUBLESHOOTING . . . . .	15
Outputs . . . . .	2		
LED . . . . .	2	MAINTENANCE . . . . .	16
<b>oi</b> (Optical Integrity) . . . . .	2	Cleaning Procedure . . . . .	16
Communication . . . . .	3	<b>oi</b> Plate Removal and Replacement . . . . .	16
Data Logging . . . . .	3	Periodic Checkout Procedure . . . . .	17
Integral Wiring Compartment . . . . .	3	Clock Battery . . . . .	17
Detector Sensitivity Levels . . . . .	3		
		FEATURES . . . . .	17
GENERAL APPLICATION INFORMATION . . . . .	4	SPECIFICATIONS . . . . .	17
Response Characteristics . . . . .	4		
Important Application Considerations . . . . .	4	REPLACEMENT PARTS . . . . .	19
		DEVICE REPAIR AND RETURN . . . . .	19
IMPORTANT SAFETY NOTES . . . . .	4	ORDERING INFORMATION . . . . .	19
		Accessories . . . . .	19
INSTALLATION . . . . .	5	X3301 Model Matrix . . . . .	20
Detector Positioning . . . . .	5		
Detector Orientation . . . . .	5	APPENDIX A – FM APPROVAL AND PERFORMANCE REPORT . . . . .	21
Protection Against Moisture Damage . . . . .	6	APPENDIX B – CSA APPROVAL . . . . .	31
Wiring Procedure . . . . .	6	APPENDIX C – ATEX / CE APPROVAL . . . . .	32
		APPENDIX D – IECEx APPROVAL . . . . .	34
STARTUP PROCEDURE . . . . .	14	APPENDIX E – EN54 APPROVALS . . . . .	35
Manual <b>oi</b> Test (Output to Controller) . . . . .	14	APPENDIX F – ADDITIONAL APPROVALS . . . . .	36
Count Test Mode (Output to Controller) . . . . .	14		
Fire Alarm Test (Pulse Output to Fire Alarm Panel) . . . . .	15		

---

**AUTOMATIC**

---

**Multispectrum IR Flame Detector  
with Pulse Output  
X3301****IMPORTANT**

*Be sure to read and understand the entire instruction manual before installing or operating the flame detection system. Any deviation from the recommendations in this manual may impair system performance and compromise safety.*

**ATTENTION**

*The X3301 includes the Automatic **oi**<sup>®</sup> (Optical Integrity) feature — a calibrated performance test that is automatically performed once per minute to verify complete detector operation capabilities. **Testing with an external test lamp is not approved or required.***

**DESCRIPTION**

The X3301 with pulse/relay output is a multispectrum infrared (IR) flame detector that is designed for use in controller based systems. In addition to use in new systems, it can serve as a direct field replacement for Detector Electronics Corporation (Det-Tronics<sup>®</sup>) controller based flame detectors that generate a pulse output (not compatible with R7484 and R7409B/C).

When used as a field replacement, all operating features of the current controller are retained in addition to gaining the advanced features of the X3301 Flame Detector. In typical applications, the four wire X3301 can utilize all existing system wiring.



The X3301 contains three IR sensors and provides unsurpassed detection of flames from light to heavy hydrocarbon fuels combined with the highest degree of false alarm rejection.

The detector has Division and Zone explosion-proof ratings and is suitable for use in indoor and outdoor applications. The X3301 housing is available in copper-free aluminum or stainless steel, with NEMA/Type 4X and IP66/IP67 rating.

A tri-color LED on the detector faceplate indicates normal condition and notifies personnel of fire alarm or fault conditions.

Microprocessor controlled heated optics increase resistance to moisture and ice.

## OUTPUTS

### Relays

The detector is furnished with fire and fault relays. The relays are rated 5 amperes at 30 Vdc.

The Fire Alarm relay has redundant terminals and normally open / normally closed contacts, normally de-energized operation, and latching or non-latching operation.

The Fault relay has redundant terminals and normally open contacts, normally energized operation, and latching or non-latching operation.

An alarm condition will normally over-ride a fault condition, unless the nature of the fault condition impairs the ability of the detector to generate or maintain an alarm output, i.e. loss of operating power.

### LED

A tri-color LED on the detector faceplate indicates normal condition and notifies personnel of fire alarm or fault conditions. Table 1 indicates the condition of the LED for each status.

Table 1—Detector Status Indicator

Detector Status	LED Indicator
Power On/Normal Operation (no fault or fire alarm)	Green
Fault	Yellow
Fire (Alarm)	Red
Low Sensitivity	One Yellow Flash During Power-up
T-Low Sensitivity	Three Yellow Flashes During Power-up
Medium Sensitivity	Two Yellow Flashes During Power-up
Very High Sensitivity	Four Yellow Flashes During Power-up

**NOTE:** See "Detector Sensitivity Levels" for additional information.

### oi (OPTICAL INTEGRITY)

#### Automatic oi

The X3301 includes the Automatic **oi** feature — a calibrated performance test that is automatically performed once per minute to verify complete detector operation capabilities. No testing with an external test lamp is required. The detector automatically performs the same test that a maintenance person with a test lamp would perform — once every minute. However, a successful Automatic **oi** test does not produce an alarm condition.

The X3301 signals a fault condition when less than half of the detection range remains. This is indicated by the Fault output and is evident by the yellow color of the LED on the face of the detector. The **oi** fault condition is self-clearing if the optical contamination is temporary. If the contamination is not automatically cleared and the **oi** fault remains, the detector may require cleaning or service. See the "Troubleshooting" section for further information.

#### Magnetic oi / Manual oi

#### CAUTION

*These tests require disabling of all extinguishing devices to avoid release resulting from a successful test.*

The detector incorporates both Magnetic **oi** (Mag **oi**) and Manual **oi** (Man **oi**) test capabilities. These tests provide pulses (80 to 100 CPS) to the controller (R7404 or R7494) when the detector is not in fault. If the test is successful, the controller indicates a fire and the appropriate zone output is active.

#### NOTE

*If the detector is in a fault condition, a successful Mag **oi** or Man **oi** test cannot be performed.*

The Mag **oi** test is initiated by placing a magnet at the location marked "MAG OI" on the outside of the detector (see Figure 2). This action causes the detector to immediately send pulses to the controller. Controller response is as follows:

- The Zone LED blinks.
- The digital display indicates which Zone is in alarm.
- The status indicator shows "6" (fire).

#### IMPORTANT

*Mag **oi** can be performed with the controller's (R7404/R7494) keylock switch in either the NORMAL or TEST position. In NORMAL, the controller goes into alarm and activates its outputs. If no controller alarm output is desired, place the keylock switch in the TEST position before touching the magnet to the outside of the detector. Man **oi** operates only with the keylock switch in the TEST position.*

During the entire test, the detector gives no indication of alarm.

To reset the controller status and alarms, place the keylock switch in RESET. Return the keylock switch to NORMAL when testing is complete.

The Man **oi** test is nearly identical to the Mag **oi** test, except for the manner in which the test is initiated:

- Place the keylock switch on the controller (R7404/R7494) in the TEST position.
- Press the SELECT button to select the appropriate detector for test.
- Press the TEST/ACCEPT button to initiate the test.

Controller and detector responses are identical to the Mag **oi** test described above.

To reset the controller status and alarms, place the keylock switch in RESET. Return the keylock switch to NORMAL when testing is complete.

**NOTE**

*Refer to Appendix A for FM verification of the **oi** function.*

**COMMUNICATION**

The X3301 is furnished with an RS-485 interface for communicating status and other information with external devices. The RS-485 supports MODBUS protocol, with the detector configured as a slave device.

**DATA LOGGING**

Data logging capability is also provided. Status conditions such as normal, power down, general and **oi** faults, fire alarm, time and temperature are recorded. Each event is time and date stamped, along with the temperature and input voltage. Event data is stored in non-volatile memory when the event becomes active, and again when the status changes. Data is accessible using the Inspector Connector accessory or RS-485.

**INTEGRAL WIRING COMPARTMENT**

All external wiring to the device is connected within the integral junction box. The detector is furnished with four conduit entries, with either 3/4 inch NPT or M25 threads.

**DETECTOR SENSITIVITY LEVELS**

There are four factory configured sensitivity levels available for the X3301 Flame Detector:

Very High, Medium, Low and T-Low.

The following criteria should be considered when choosing a sensitivity level for the intended application:

- Detector placement
- Speed of response based on fuel type and fire size (see Appendix A for response times)
- Distance between the hazard and the flame detector

Recommended sensitivity guidelines are as follows:

Very High:	Offshore, Warehousing
Medium:	General Duty, Compressors
Low:	Offshore, close proximity/high IR backgrounds
T-Low:	Turbine Enclosures

Additional information on X3301 Flame Detector performance results and sensitivities can be found in Appendix A, the FM Approval and Performance Report.

Consult the factory with any questions on how to choose the optimum sensitivity level for the intended application.

## GENERAL APPLICATION INFORMATION

### RESPONSE CHARACTERISTICS

Response is dependent on the detector's sensitivity setting, distance, type of fuel, temperature of the fuel, and time required for the fire to come to equilibrium. As with all fire tests, results must be interpreted according to an individual application. See Appendix A for fire test results.

See Appendix A for third-party approved fire test results. Additional fire test results are available from Det-Tronics.

### IMPORTANT APPLICATION CONSIDERATIONS

In applying any type of sensing device as a fire detector, it is important to know of any conditions that can prevent the device from responding to fire, and also to know what other sources besides fire can cause the device to respond.

#### Welding

Arc welding should not be performed within 40 feet (12.2 m) of the detector configured to very high sensitivity, within 10 feet (3.0 m) at medium sensitivity, within 5 feet (1.5 m) at T-Low sensitivity, or within 5 feet (1.5 m) at Low sensitivity. It is recommended that the system be bypassed during welding operations in situations where the possibility of a false alarm cannot be tolerated. Gas welding mandates system bypass, since the gas torch is an actual fire. Arc welding rods can contain organic binder materials in the flux that burn during the welding operation and are detectable by the X3301. Welding rods with clay binders do not burn and will not be detected by the X3301. However, system bypass is always recommended, since the material being welded may be contaminated with organic substances (paint, oil, etc.) that will burn and possibly cause the X3301 to alarm.

#### Artificial Lighting

The X3301 should not be located within 3 feet (0.9 m) of artificial lights. Excess heating of the detector could occur due to heat radiating from the lights.

#### EMI/RFI Interference

The X3301 is resistant to interference by EMI and RFI, and is EMC Directive compliant. It will not respond to a 5 watt walkie-talkie at distances greater than 1 foot (0.3 m). Do not operate a walkie-talkie within 1 foot (0.3 m) of the X3301.

#### Non-Carbon Fires

The X3301 is a multiple spectrum IR device with detection limited to carbonaceous fuels. It should not be used to detect fires from fuels that do not contain carbon, such as hydrogen, sulfur, and burning metals.

## IMPORTANT SAFETY NOTES

### WARNING

*Do not open the detector assembly in a hazardous area when power is applied. The detector contains limited serviceable components and should never be opened. Doing so could disturb critical optical alignment and calibration parameters, possibly causing serious damage.*

### CAUTION

*The wiring procedures in this manual are intended to ensure proper functioning of the device under normal conditions. However, because of the many variations in wiring codes and regulations, total compliance to these ordinances cannot be guaranteed. Be certain that all wiring complies with the NEC as well as all local ordinances. If in doubt, consult the authority having jurisdiction before wiring the system. Installation must be done by a properly trained person.*

### CAUTION

*To prevent unwanted actuation or alarm, extinguishing devices must be disabled prior to performing system tests or maintenance.*

### CAUTION

*The multispectrum IR flame detectors are to be installed in places where the risk of mechanical damage is low.*

### ATTENTION

*Remove the protective cap from the front of the detector before activating the system.*

### ATTENTION

*Observe precautions for handling electrostatic sensitive devices.*

# INSTALLATION

## NOTE

The recommended lubricant for threads and O-rings is a silicone free grease (p/n 005003-001) available from Det-Tronics. Under no circumstances should a lubricant containing silicone be used.

## DETECTOR POSITIONING

Detectors should be positioned to provide the best unobstructed view of the area to be protected. The following factors should also be taken into consideration:

- Identify all high risk fire ignition sources.
- Be sure that enough detectors are used to adequately cover the hazardous area.
- Be sure that the unit is easily accessible for cleaning and other periodic servicing.
- Verify that all detectors in the system are properly located and positioned so that any fire hazards are within both the Field of View (FOV) and detection range of the detector. The Q1201C Laser Aimer is recommended for establishing the detector's FOV. Refer to Appendix A for specific information regarding detector range and FOV.
- The detector should be aimed downward at least 10 to 20 degrees to allow lens openings to drain. See Figure 1. **The detector should be positioned so that its FOV does not cover areas outside the hazardous area.** This will minimize the possibility of false alarms caused by activities outside the area requiring protection.
- The detector must be mounted on a rigid surface in a low vibration area.

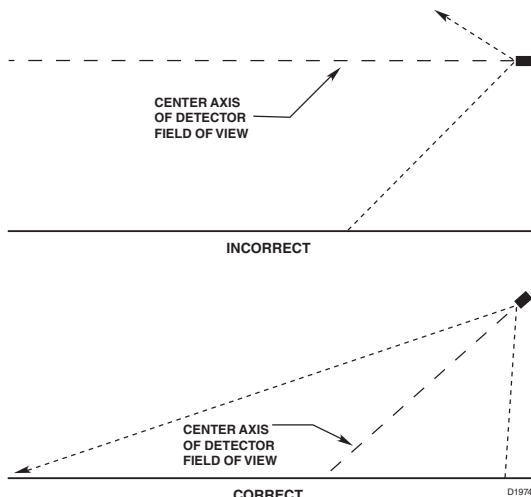


Figure 1—Detector Orientation Relative to Horizon

- Dense fog, rain or ice can absorb IR radiation and reduce the sensitivity of the detector. To ensure optimum performance, be certain that the internal optical heater is enabled on detectors that are used in applications where snow, ice, and/condensation are likely to occur.
- Although IR detectors are less affected by smoke than other detectors, the X3301 should not be placed where rising combustion products can obscure its vision. If smoke is expected before fire, smoke or other alternative detectors should be used in conjunction with the X3301. For indoor applications, if dense smoke is expected to accumulate at the onset of a fire, mount the detector on a side wall at least a few feet (approximately 1 meter) down from the ceiling.
- If possible, fire tests can be conducted to verify correct detector positioning and coverage.
- For ATEX installations, the X3301 Flame Detector housing must be electrically connected to earth ground.

## DETECTOR ORIENTATION

Refer to Figure 2 and ensure that the **oi** plate will be oriented as shown when the X3301 is mounted and sighted. This will ensure proper operation of the **oi** system and will also minimize the accumulation of moisture and contaminants between the **oi** plate and the viewing windows.

### IMPORTANT

If removed, the **oi** plate must be securely tightened to ensure proper operation of the **oi** system (40 oz.linches [28.2 N·cm] recommended).

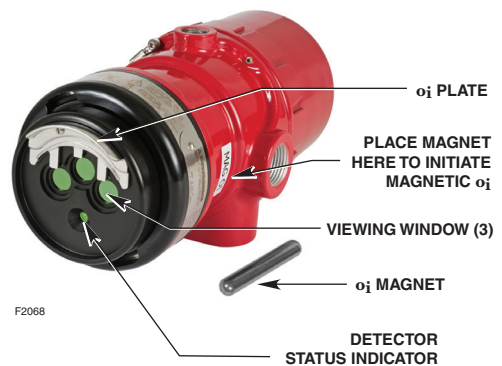


Figure 2—Front View of the X3301

## PROTECTION AGAINST MOISTURE DAMAGE

It is important to take proper precautions during installation to ensure that moisture will not come in contact with the electrical connections or components of the system. The integrity of the system regarding moisture protection must be maintained for proper operation and is the responsibility of the installer.

If conduit is used, we recommend installing drains, according to local codes, at water collection points to automatically drain accumulated moisture. It is also recommended to install at least one breather, according to local codes, at upper locations to provide ventilation and allow water vapor to escape.

Conduit raceways should be inclined so that water will flow to low points for drainage and will not collect inside enclosures or on conduit seals. If this is not possible, install conduit drains above the seals to prevent the collection of water or install a drain loop below the detector with a conduit drain at the lowest point of the loop.

Conduit seals are not required for compliance with explosion-proof installation requirements, but are highly recommended to prevent water ingress in outdoor applications. Units with M25 threads must use an IP66/IP67 washer to prevent water ingress.

## WIRING PROCEDURE

### Wire Size and Type

The system should be wired according to local codes. The wire size selected should be based on the number of detectors connected, the supply voltage, and the cable length. Typically 16 AWG or 2.5 mm<sup>2</sup> shielded cable is recommended. Wires should be stripped 3/8 inch (9 mm). In some cases where the X3301 is replacing existing pulse output detectors, the wiring and power supplies may not be adequate. Consult the factory for assistance.

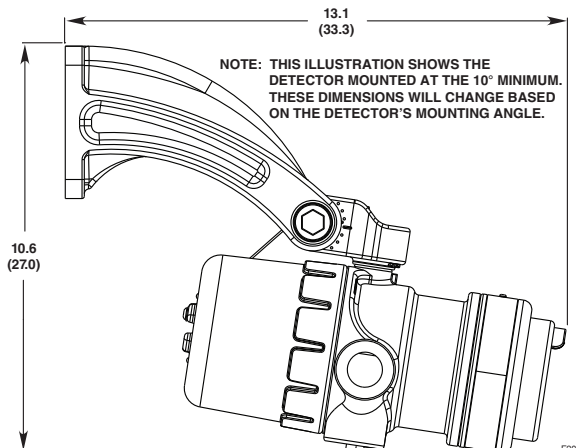
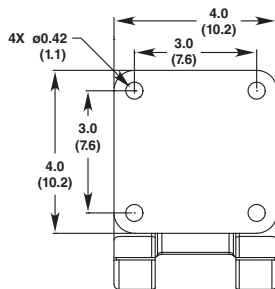


Figure 3—Q9033 Mounting Arm without Collar Attachment Dimensions in Inches (cm)  
(See Figure 1 for Correct Detector Orientation.)

## IMPORTANT

*A minimum input voltage of 18 Vdc must be present at the X3301.*

The use of shielded cable is required to protect against interference caused by EMI and RFI. When using cables with shields, terminate the shields as shown in Figures 6 through 10. Consult the factory if not using shielded cable.

The “B” (pulse output) and “D” (oi driver) leads from each detector should be shielded from the “B” and “D” leads of all other detectors in order to prevent false alarms resulting from crosstalk between zones. It is recommended that the “A” and “C” leads also be shielded to provide maximum immunity to EMI/RFI. (See Figures 6 to 10.)

In applications where the wiring cable is installed in conduit, the conduit must not be used for wiring to other electrical equipment.

If disconnection of power is required, separate disconnect capability must be provided.

## CAUTION

*Installation of the detector and wiring should be performed only by qualified personnel.*

## Detector Mounting

Install the mounting arm assembly on a rigid surface. The ideal installation surface should be free of vibration and suitable to receive 3/8 inch or M10 bolts with a length of at least 1 inch (25 mm). The surface must also have sufficient capacity to hold the detector and mounting arm weights (see “Specifications” section). Refer to the Q9033 Mounting Arm and Collar Attachment Manual (95-8686) for additional mounting information. See Figure 3 for dimensions.



## Detector Wiring

### IMPORTANT

If installing an X3301 in place of an existing detector, be sure to move the “A” Lead (detector power) at the controller from the +290 Vdc source to the +24 Vdc source. **Do not apply 290 Vdc to the X3301.**

1. Make field connections following local ordinances and guidelines in this manual.

Figure 4 shows the wiring terminal strip located inside the detector’s integral junction box.

Figure 5 shows the wiring terminal identification for the X3301 detector with pulse output.

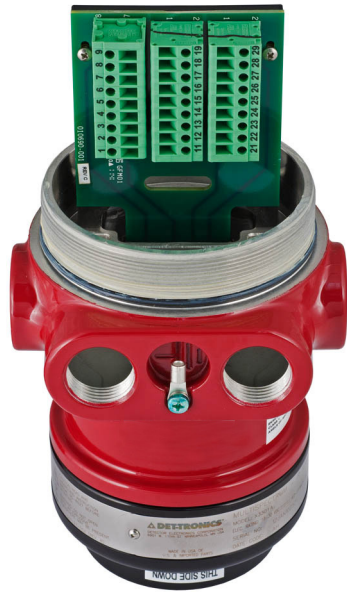


Figure 4—X3301 Terminal Block

9		19	PULSE OUT	29	SPARE
8		18		28	SPARE
7	COM FIRE	17	COM FIRE	27	
6	N.O. FIRE	16	N.O. FIRE	26	
5	N.C. FIRE	15	N.C. FIRE	25	
4	COM FAULT	14	COM FAULT	24	RS-485 A
3	N.O. FAULT	13	N.O. FAULT	23	RS-485 B
2	24 VDC +	12	24 VDC +	22	MAN O <sub>i</sub>
1	24 VDC -	11	24 VDC -	21	24 VDC -

B2070

Figure 5—X3301 Pulse Wiring Terminal Identification

Leave the shield open at the detector end and permanently isolate it from accidental contact with the case and/or other conductors. At the controller/ fire panel end, connect the shield and power minus (–) to chassis (earth) ground either directly or through a 0.47  $\mu$ F 400 Volt non-polarized capacitor (not supplied). (Refer to Figures 6 through 10.)

Figures 11 and 12 provide examples of typical installations with a X3301 wired to a fire alarm panel.

Figure 13 shows an EOL resistor installed within the integral wiring compartment of the detector (refer to “EOL Resistors” for details).

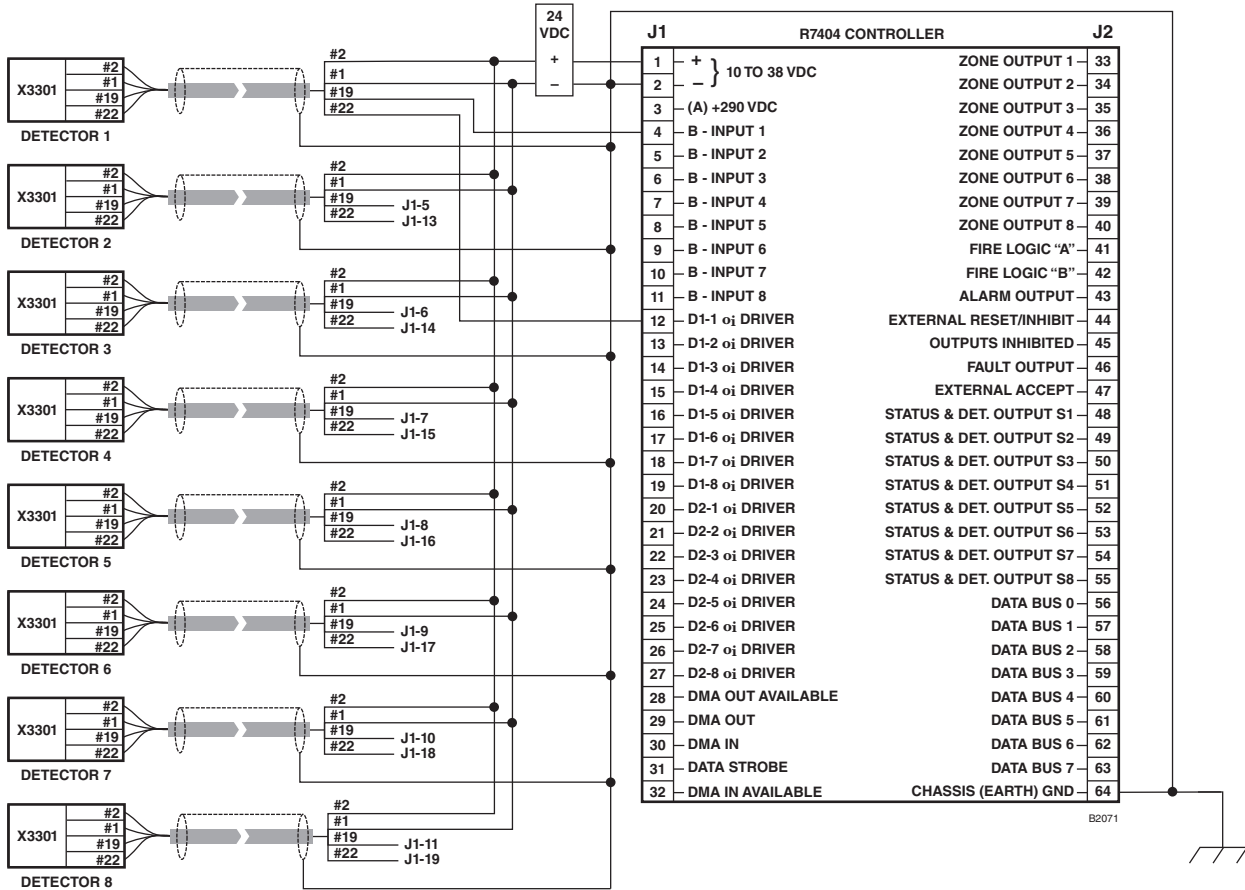
2. Check all field wiring to be sure that the proper connections have been made.

### IMPORTANT

Do not test any wiring connected to the detector with a meg-ohmmeter. Disconnect wiring at the detector before checking system wiring for continuity.

3. Make the final sighting adjustments and use a 14 mm hex wrench to ensure that the mounting arm assembly is tight.

NOTE: DO NOT CONNECT THE X3301 "A" LEAD (#2/12) TO TERMINAL J1-3 (290 VDC).



TERMINAL IDENTIFICATION FOR X3301 WITH PULSE OUTPUT.

TERMINAL NO.	FUNCTION
1/11	DC- ("C" LEAD)
2/12	DC+ ("A" LEAD)
19	SIGNAL ("B" LEAD)
22	oi ("D" LEAD)

NOTE: IF THE POWER SUPPLY MINUS CANNOT BE CONNECTED TO CHASSIS (EARTH) GROUND, CONNECT A 0.47 µF 400 VDC NON-POLARIZED CAPACITOR BETWEEN J1-2 AND J2-64.

NOTE: 2.5 AMPERES @ 24 VDC REQUIRED PER EIGHT DETECTORS.

NOTE: DETECTOR/CONTROLLER CIRCUITS MEET CLASS B, STYLE 0.5 REQUIREMENTS (SIGNALLING LINES A AND C).

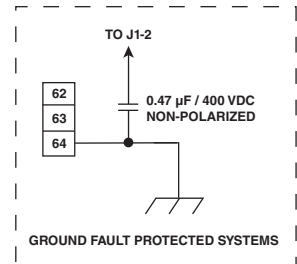
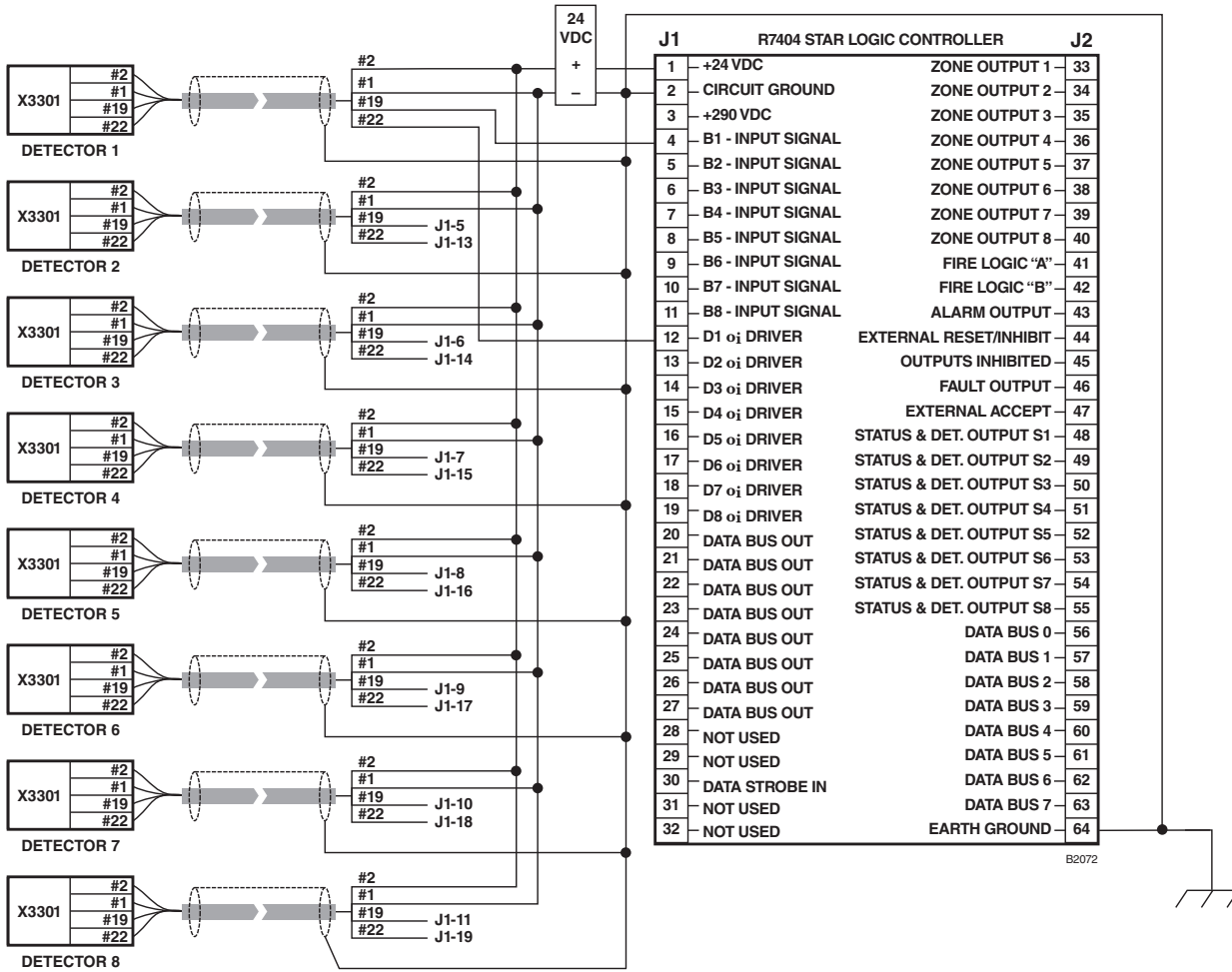


Figure 6—A Typical System, X3301 Detectors Wired to R7404 Controller

NOTE: DO NOT CONNECT THE X3301 "A" LEAD (#2/12) TO TERMINAL J1-3 (290 VDC).



TERMINAL IDENTIFICATION FOR X3301 WITH PULSE OUTPUT.

TERMINAL NO.	FUNCTION
1/11	DC- ("C" LEAD)
2/12	DC+ ("A" LEAD)
19	SIGNAL ("B" LEAD)
22	oi ("D" LEAD)

NOTE: IF THE POWER SUPPLY MINUS CANNOT BE CONNECTED TO CHASSIS (EARTH) GROUND, CONNECT A 0.47 µF 400 VDC NON-POLARIZED CAPACITOR BETWEEN J1-2 AND J2-64.

NOTE: 2.5 AMPERES @ 24 VDC REQUIRED PER EIGHT DETECTORS.

NOTE: DETECTOR/CONTROLLER CIRCUITS MEET CLASS B, STYLE 0.5 REQUIREMENTS (SIGNALLING LINES A AND C).

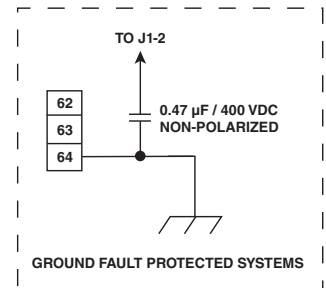
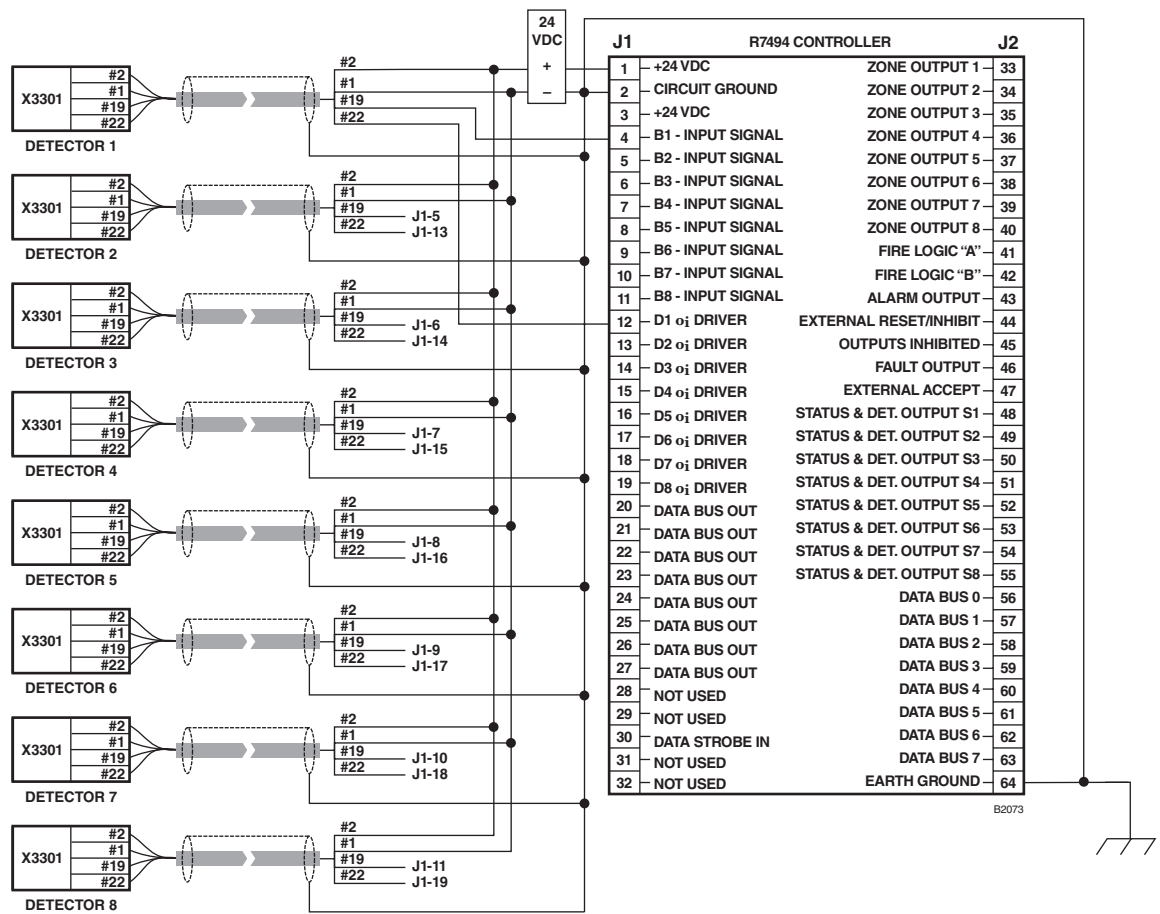


Figure 7—A Typical System, X3301 Detectors Wired to R7404 Star Logic Controller



TERMINAL IDENTIFICATION FOR X3301 WITH PULSE OUTPUT.

TERMINAL NO.	FUNCTION
1/11	DC- ("C" LEAD)
2/12	DC+ ("A" LEAD)
19	SIGNAL ("B" LEAD)
22	o <sub>i</sub> ("D" LEAD)

NOTE: IF THE POWER SUPPLY MINUS CANNOT BE CONNECTED TO CHASSIS (EARTH) GROUND, CONNECT A 0.47 μF 400 VDC NON-POLARIZED CAPACITOR BETWEEN J1-2 AND J2-64.

NOTE: 2.5 AMPERES @ 24 VDC REQUIRED PER EIGHT DETECTORS.

NOTE: DETECTOR/CONTROLLER CIRCUITS MEET CLASS B, STYLE 0.5 REQUIREMENTS (SIGNALLING LINES A AND C).

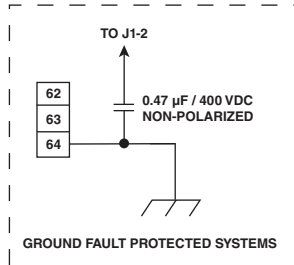
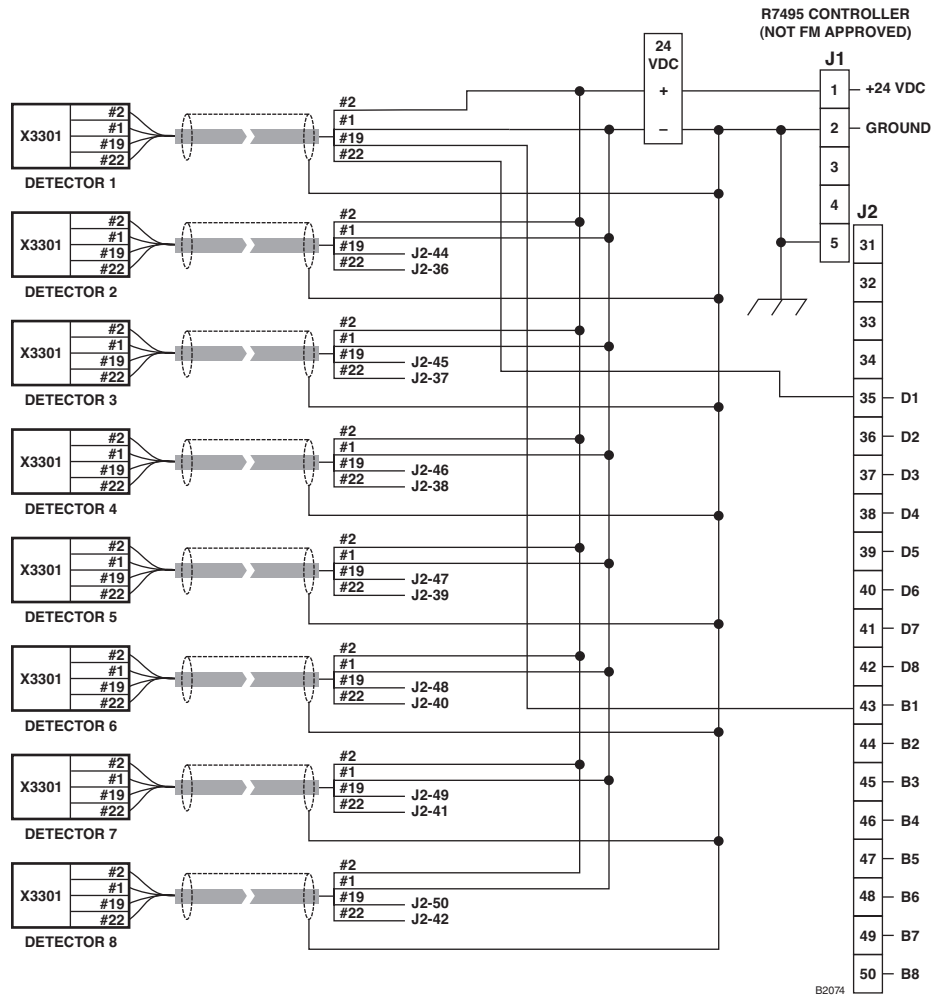


Figure 8—A Typical System, X3301 Detectors Wired to R7494 Controller



B2074

TERMINAL IDENTIFICATION FOR X3301 WITH PULSE OUTPUT.

TERMINAL NO.	FUNCTION
1/11	DC- ("C" LEAD)
2/12	DC+ ("A" LEAD)
19	SIGNAL ("B" LEAD)
22	O <sub>i</sub> ("D" LEAD)

NOTE: IF THE POWER SUPPLY MINUS CANNOT BE CONNECTED TO CHASSIS (EARTH) GROUND, CONNECT A 0.47 µF 400 VDC NON-POLARIZED CAPACITOR BETWEEN J1-2 AND J1-5.

NOTE: 2.5 AMPERES @ 24 VDC REQUIRED PER EIGHT DETECTORS.

NOTE: DETECTOR/CONTROLLER CIRCUITS MEET CLASS B, STYLE 0.5 REQUIREMENTS (SIGNALLING LINES A AND C).

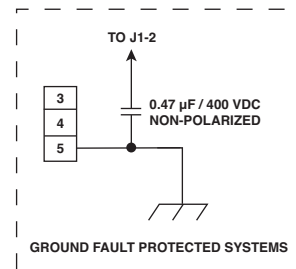
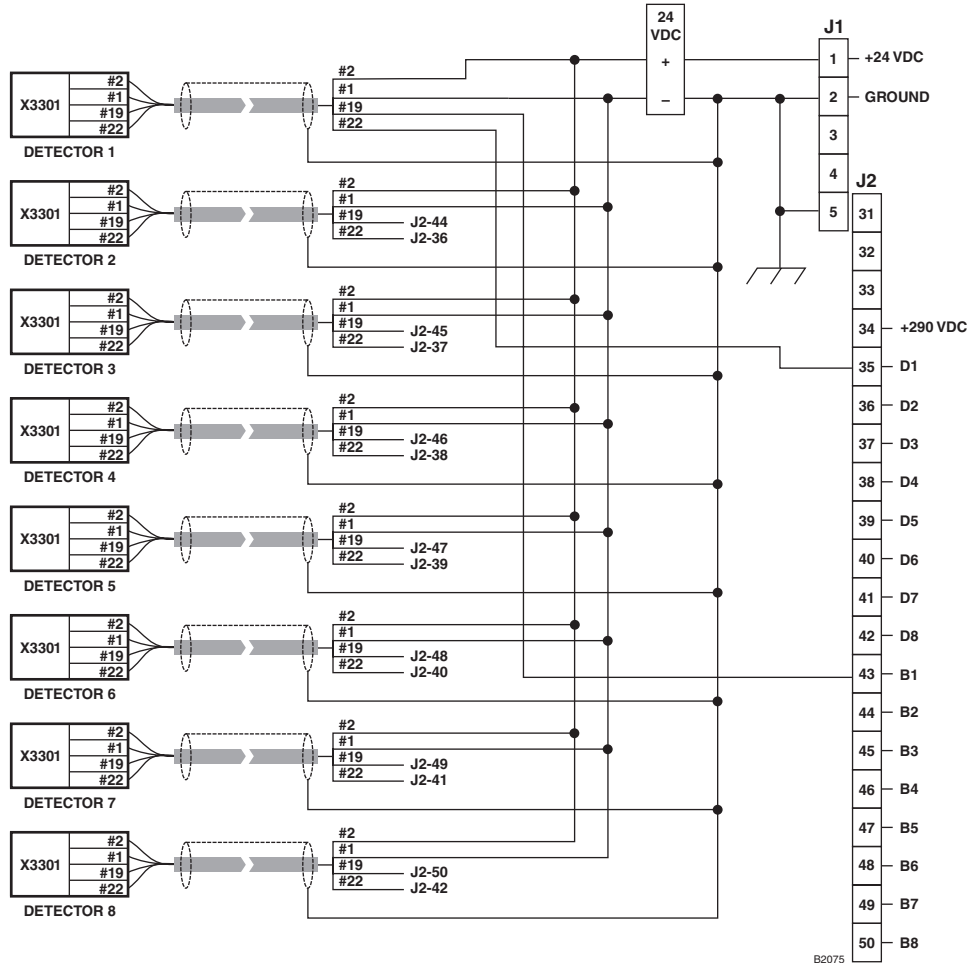


Figure 9—A Typical System, X3301 Detectors Wired to R7495 Controller

NOTE: DO NOT CONNECT THE X3301 "A" LEAD (#2/12) TO TERMINAL J2-34 (290 VDC).

R7405 CONTROLLER  
(NOT FM APPROVED)



B2075

TERMINAL IDENTIFICATION FOR X3301  
WITH PULSE OUTPUT.

TERMINAL NO.	FUNCTION
1/11	DC- ("C" LEAD)
2/12	DC+ ("A" LEAD)
19	SIGNAL ("B" LEAD)
22	o i ("D" LEAD)

NOTE: IF THE POWER SUPPLY MINUS CANNOT BE CONNECTED TO CHASSIS (EARTH) GROUND, CONNECT A 0.47  $\mu$ F 400 VDC NON-POLARIZED CAPACITOR BETWEEN J1-2 AND J1-5.

NOTE: 2.5 AMPERES @ 24 VDC REQUIRED PER EIGHT DETECTORS.

NOTE: DETECTOR/CONTROLLER CIRCUITS MEET CLASS B, STYLE 0.5 REQUIREMENTS (SIGNALING LINES A AND C).

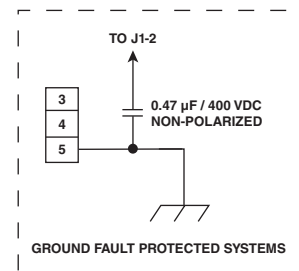


Figure 10—A Typical System, X3301 Detectors Wired to R7405 Controller

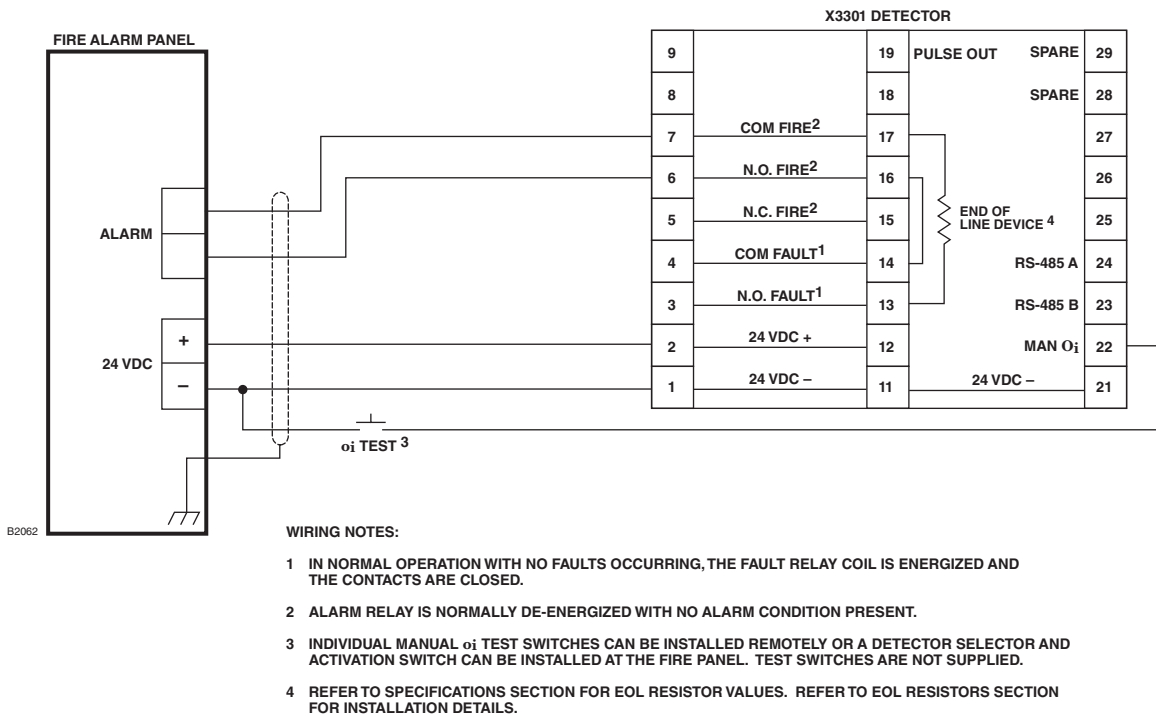


Figure 11—Ex d Wiring Option

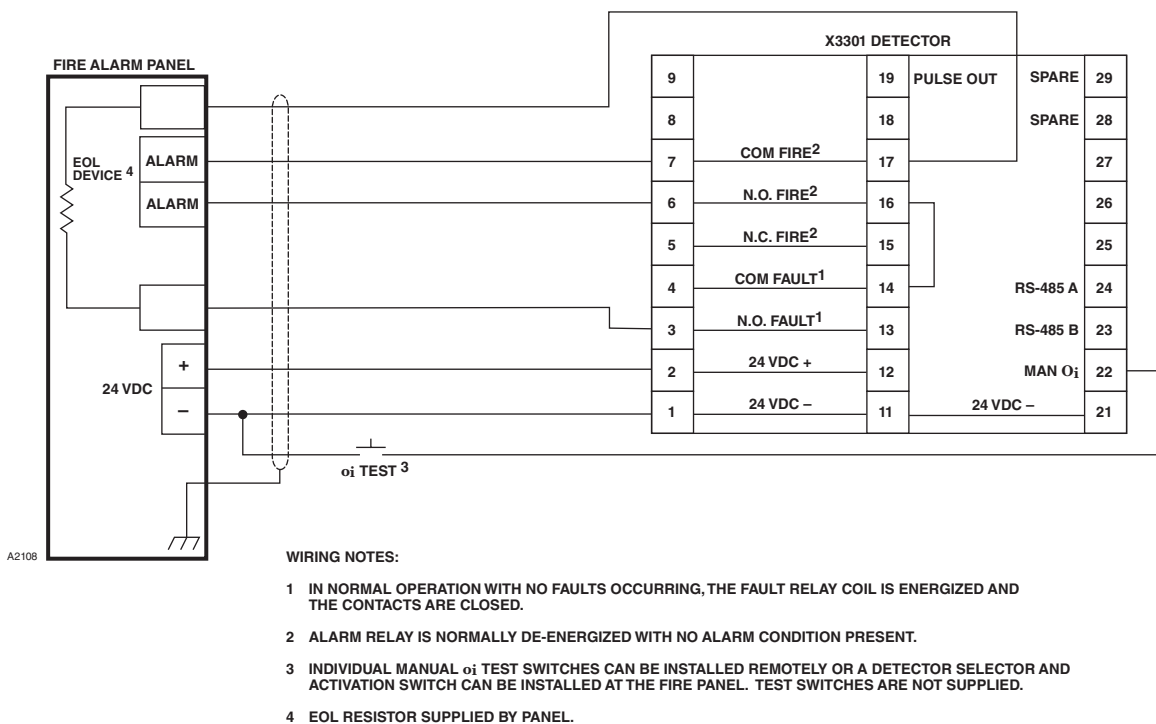


Figure 12—Ex e Wiring Option

## EOL Resistors

To ensure that the insulating material of the wiring terminal block will not be affected by the heat generated by EOL resistors, observe the following guidelines when installing the resistors.

1. Required EOL resistor power rating must be 5 watts minimum.

### NOTE

*EOL resistors must be ceramic, wirewound type, rated 5 watts minimum, with actual power dissipation not to exceed 2.5 watts. This applies to ATEX/IEC installations only.*

2. Resistor leads should be cut to a length of approximately 1 1/2 inches (40 mm).
3. Bend the leads and install the EOL resistor as shown in Figure 13.

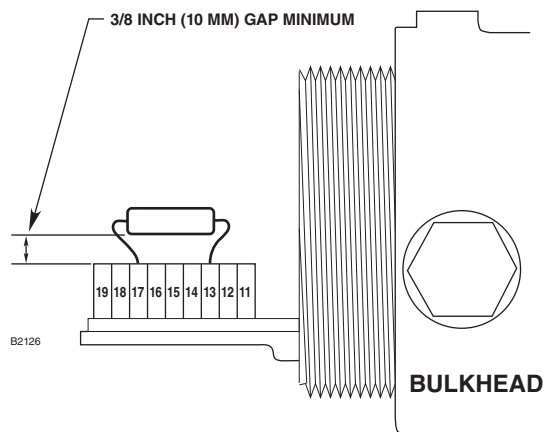


Figure 13—EOL Resistor Installation

4. Maintain a 3/8 inch (10 mm) minimum gap between the resistor body and the terminal block or any other neighboring parts.

### NOTE

*The EOL resistor can only be used within the flameproof terminal compartment. Unused apertures shall be closed with suitable blanking elements.*

## STARTUP PROCEDURE

When installation of the equipment is complete, perform one or more of the following tests:

- Manual **oi** Test — Tests detector output and wiring, without generating a fire alarm.
- Count Test Mode — Measures actual detector output to controller (cps), without generating a fire alarm.
- Fire Alarm Test — For complete system test including detector relays. Generates fire alarm output.

### MANUAL oi TEST (Output to Controller)

1. Place the keylock switch in the TEST position.
2. Press the SELECT button to display the desired zone on the ZONE indicator on the front panel of the controller.
3. Press and hold the TEST button. The ZONE OUTPUT LED for the tested zone flashes and the SYSTEM STATUS display indicates a "6" (fire condition) if the test is successful.
4. Release the TEST button. The ZONE OUTPUT LED for the tested zone should remain on steadily.
5. Return to step 2 to test the next detector.

If the system responds differently than indicated above, proceed with the count test for the problem zone to verify detector and wiring operation.

### COUNT TEST MODE (Output to Controller)

When in the Count Test mode, the frequency of the digital pulses from the detector is displayed on the ZONE and DETECTOR indicators on the controller faceplate. The Count Test mode may be used to check the signal (cps) from a test fire or false alarm source. This can be useful during system set-up for sensitivity and time delay settings. This test is performed in the following manner:

1. Place the keylock switch in the TEST position.
2. Simultaneously press and release the SELECT and TEST buttons. The Status display will change from a "1" to an "8" indicating that the controller is in the Count Test mode of operation.
3. Press the SELECT button until the desired zone is displayed on the ZONE indicator on the controller front panel.



4. Press and hold the TEST button. The DETECTOR/ ZONE display indicates the counts per second (cps) received from the detector. If the counts per second exceeds 99, the FIRE LOGIC LEDs are illuminated to indicate that the number shown on the display must be multiplied by 10. **The normal reading for an oi test is 80 to 110 cps. For a live fire test, 270 - 330 cps will be generated.**

A zero reading may indicate a dirty window, oi problem, faulty detector or defective wiring.

Release the Test button, the ZONE and DETECTOR display should drop to a reading of 0 to 1 counts per second.

#### **FIRE ALARM TEST (Pulse Output to Fire Alarm Panel)**

1. Disable any extinguishing equipment that is connected to the system.
2. Apply input power to the system.
3. Initiate a live fire test or a Mag oi test (see “Magnetic oi / Manual oi” under “Optical Integrity” in the Description section of this manual).
4. Repeat this test for all detectors in the system. If a unit fails the test, refer to the “Troubleshooting” section.
5. Verify that all detectors in the system are properly aimed at the area to be protected. (The Q1201C Laser Aimer is recommended for this purpose.)
6. Enable extinguishing equipment when the test is complete.

## **TROUBLESHOOTING**

### **WARNING**

*The sensor module (“front” half of the detector) contains no user serviceable components and should never be opened. The terminal compartment is the only part of the enclosure that should be opened by the user in the field.*

1. Disable any extinguishing equipment that is connected to the unit.
2. Inspect the viewing windows for contamination and clean as necessary. The detector is relatively insensitive to airborne contaminants, however, thick deposits of ice, dirt, or oil will reduce sensitivity. (Refer to the “Maintenance” section for complete information regarding cleaning of the detector viewing windows.)
3. Check input power to the unit.
4. Check system and detector logs.
5. Turn off the input power to the detector and check all wiring for continuity. **Important: Disconnect wiring at the detector before checking system wiring for continuity.**
6. If all wiring checks out and cleaning of the oi plate/ window did not correct the fault condition, check for high levels of background IR radiation by covering the detector with the factory supplied cover or aluminum foil. If the fault condition clears within 6 minutes or less, extreme background IR is present. Re-adjust the view of the detector away from the IR source or relocate the detector.

If none of these actions corrects the problem, return the detector to the factory for repair.

### **NOTE**

*It is highly recommended that a complete spare be kept on hand for field replacement to ensure continuous protection.*

### **NOTE**

*For additional troubleshooting guides, refer to the Flame Inspector Monitor manual (95-8581).*

## MAINTENANCE

### IMPORTANT

Periodic flamepath inspections are not recommended, since the product is not intended to be serviced and provides proper ingress protection to eliminate potential deterioration of the flamepaths.

### WARNING

The sensor module (“front” half of the detector) contains no user serviceable components and should never be opened. The terminal compartment is the only part of the enclosure that should be opened by the user in the field.

To maintain maximum sensitivity and false alarm resistance, the viewing windows of the X3301 must be kept relatively clean. Refer to the following procedure for cleaning instructions.

## CLEANING PROCEDURE

### CAUTION

Disable any extinguishing equipment that is connected to the unit to prevent unwanted actuation.

To clean the windows and **oi** plate, use the window cleaner (p/n 001680-001) and a soft cloth, cotton swab, or tissue and refer to the following procedure:

1. **Disable any extinguishing equipment that is connected to the unit.**
2. Since the X3301 is less affected by contamination than other detectors, removal of the **oi** plate is needed only under extreme conditions. In addition, it is not necessary to achieve perfect cleanliness, because IR is not significantly absorbed by slight films of oil and/or salt. If a fault condition is still indicated after cleaning, remove and clean the **oi** plate using the **oi** Plate Removal and Replacement procedure.
3. In all environments, clean all three viewing windows and reflector surfaces thoroughly. Use a cotton swab and the Det-Tronics window cleaning solution. Use Isopropyl alcohol for contaminations that the Det-Tronics window cleaning solution can not remove.

### IMPORTANT

When used in extreme environments, the reflective surface of the detector **oi** plate may eventually deteriorate, resulting in reoccurring **oi** faults and the need for **oi** plate replacement.

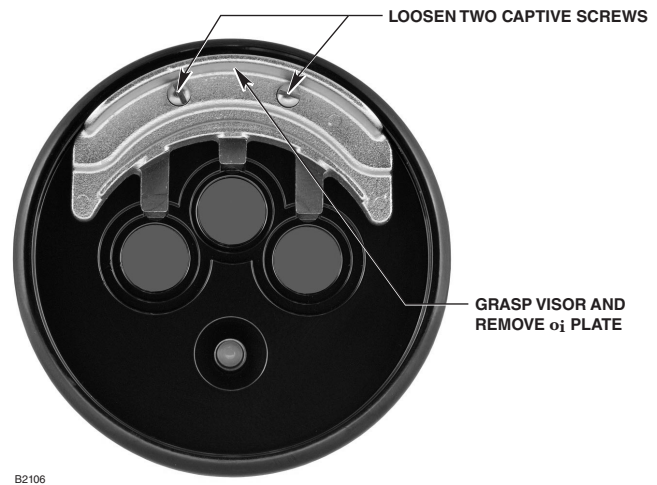


Figure 14—**oi** Plate Removal

## **oi** PLATE REMOVAL AND REPLACEMENT

1. **Disable any extinguishing equipment that is connected to the unit.**
2. Loosen the two captive screws, then grasp the **oi** plate by the visor and remove it from the detector. See Figure 14.
3. Install the new (or cleaned) **oi** plate.

### NOTE

When installing the stainless steel plate, ensure that the gasket is present and correctly seated to prevent moisture or contaminants from penetrating behind the plate. To ensure even seating, tighten both screws equally.

4. Recalibrate the detector's **oi** system. Refer to the Inspector Monitor Manual (95-8581) for instructions regarding **oi** plate replacement and **oi** system recalibration.

### CAUTION

**Do not replace the **oi** reflector plate without also recalibrating the **oi** system.**

Recalibration of the **oi** system requires the use of the Inspector Connector Cable and Inspector Monitor Software. These two items are included in the **oi** replacement kit, or they can be purchased separately. See Ordering Information for details.

## X3301 Reflector Plates

X3301 models are supplied with either a black or a stainless steel reflector plate. These plates are not interchangeable. Order the replacement that matches the reflector plate on your X3301 Flame Detector.

## PERIODIC CHECKOUT PROCEDURE

A checkout of the system using the Mag **oi** or Man **oi** feature should be performed on a regularly scheduled basis to ensure that the system is operating properly. To test the system, perform the "Manual **oi** Test," "Count Test Mode" or "Fire Alarm Test" as described in the "Startup Procedure" section of this manual.

## CLOCK BATTERY

The real time clock has a backup battery that will operate the clock with no external power. Return the device to the factory for battery replacement if needed.

### NOTE

*If the backup battery is depleted, there is no effect on the operation of the flame detector, but the time stamping of the data log may be affected.*

## FEATURES

- Long detection range to carbonaceous fires
- Unequaled false alarm rejection
- Responds to a fire in the presence of modulated blackbody radiation (i.e. heaters, ovens, turbines) without false alarm
- Pulse output for compatibility with controller based systems
- Microprocessor controlled heated optics for increased resistance to moisture and ice
- Automatic, manual or magnetic **oi** testing
- Easily replaceable **oi** plate
- Fire and fault relays
- Multiple sensitivity levels
- A tri-color LED on the detector faceplate indicates normal condition and notifies personnel of fire alarm or fault conditions
- Operates under adverse weather conditions and in dirty environments.
- Mounting arm allows easy sighting
- Integral wiring compartment for ease of installation
- Explosion-proof/flame-proof detector housing. Meets FM, CSA, ATEX Directive and CE certification requirements
- Class A wiring per NFPA-72 (Pulse output version is equivalent to class A when detectors are installed in a redundant configuration)
- 5 year warranty
- RFI and EMC Directive compliant

## SPECIFICATIONS

### OPERATING VOLTAGE—

24 Vdc nominal (18 Vdc minimum, 30 Vdc maximum).  
Maximum ripple is 2 volts peak-to-peak.



For CSA compliance, the power source must utilize a SELV (Safety Extra Low Voltage) or Class 2 style power supply.

### POWER CONSUMPTION—

Without heater: 4 watts at 24 Vdc nominal;  
4.6 watts at 24 Vdc in alarm.  
4.5 watts at 30 Vdc nominal;  
5.9 watts at 30 Vdc in alarm.

Heater only: 8 watts maximum.

Total Power: 17 watts at 30 Vdc with EOL resistor installed and heater on maximum.

EOL resistor must be ceramic, wirewound type, rated 5 watts minimum, with actual power dissipation not to exceed 2.5 watts.

### POWER UP TIME—

Fault indication clears after 0.5 second; device is ready to indicate an alarm condition after 30 seconds.

### OUTPUT RELAYS—

Fire Alarm relay, Form C, 5 amperes at 30 Vdc:

The Fire Alarm relay has redundant terminals and normally open / normally closed contacts, normally de-energized operation, and latching or non-latching operation.

Fault relay, Form A, 5 amperes at 30 Vdc:

The Fault relay has redundant terminals and normally open contacts, normally energized operation, and latching or non-latching operation.

### TEMPERATURE RANGE—

Operating:  $-40^{\circ}\text{F}$  to  $+167^{\circ}\text{F}$  ( $-40^{\circ}\text{C}$  to  $+75^{\circ}\text{C}$ ).

Storage:  $-67^{\circ}\text{F}$  to  $+185^{\circ}\text{F}$  ( $-55^{\circ}\text{C}$  to  $+85^{\circ}\text{C}$ ).

Hazardous location ratings from  $-55^{\circ}\text{C}$  to  $+125^{\circ}\text{C}$ .

### HUMIDITY RANGE—

0 to 95% relative humidity, can withstand 100% condensing humidity for short periods of time.

### CONE OF VISION—

The detector has a  $90^{\circ}$  cone of vision (horizontal) with the highest sensitivity lying along the central axis. Unlike conventional detectors, the X3301 provides full coverage at a minimum of 70% of the maximum detection distance.

Perfect cone of vision for methane fire detection — 100 feet on and off axis on "very high" setting.

Refer to Appendix A for FM Approved cone of vision data.

### RESPONSE TIME—

Typical response times are under 10 seconds.

See Appendix A for actual response times.

**ENCLOSURE MATERIAL—**

Copper-free aluminum (painted) or Stainless Steel (316/CF8M Cast).

**VIBRATION—**

Conformance per FM 3260: 2000, MIL-STD 810C (Curve AW).

**DIMENSIONS—**

See Figure 15.

**WIRING—**

Field wiring screw terminals are UL/CSA rated for up to 14 AWG wire, and are DIN/VDE rated for 2.5 mm<sup>2</sup> wire. Screw terminal required torque range is 3.5–4.4 in.-lbs. (0.4–0.5 N·m).

**Important:** 18 Vdc minimum must be available at the detector. For ambient temperatures below –10°C (14°F) and above +60°C (140°F) use field wiring suitable for both minimum and maximum ambient temperature.

**THREAD SIZE—**

Conduit connection: Four entries, 3/4 inch NPT or M25. Conduit seal not required.

**SHIPPING WEIGHT (Approximate)—**

Aluminum: 7 pounds (3.2 kilograms).  
Stainless Steel: 13.8 pounds (6.3 kilograms).  
Mounting Arm (AL): 6 pounds (2.75 kilograms).  
Mounting Arm (SS): 14 pounds (6.4 kilograms).

**WARRANTY PERIOD—**

**5 years.**

**CERTIFICATION—**



For complete approval details, refer to the appropriate Appendix:

- Appendix A - FM
- Appendix B - CSA
- Appendix C - ATEX/CE
- Appendix D - IECEx
- Appendix E - EN54
- Appendix F - Additional approvals

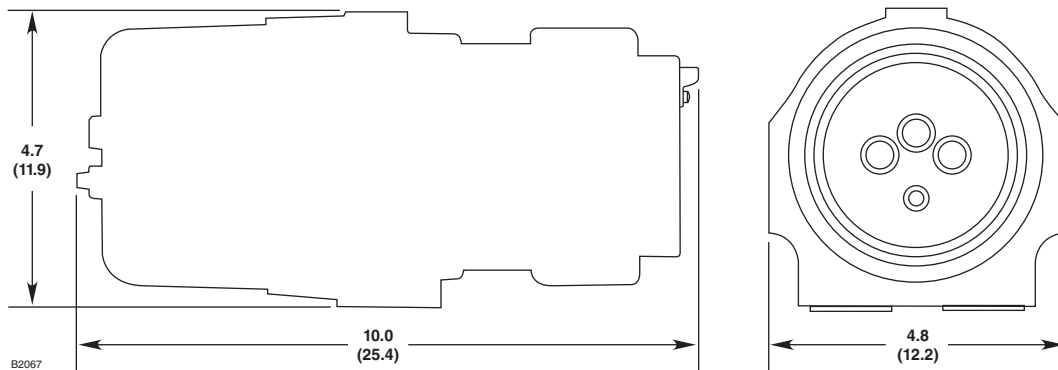


Figure 15—X3301 Dimensions in Inches (cm)

## REPLACEMENT PARTS

The detector is not designed to be repaired in the field. If a problem should develop, refer to the Troubleshooting section. If it is determined that the problem is caused by an electronic defect, the device must be returned to the factory for repair.

### REPLACEMENT PARTS

Part Number	Description
009208-001	oi Replacement kit for X3301 (5 Black Reflector Plates) with Inspector Connector and Monitor
010831-001	oi Replacement kit for X3301 (5 Stainless Steel Reflector Plates) with Inspector Connector and Monitor
007307-001	Replacement oi Reflector Plates for X3301 with Black plate (requires Inspector Connector to calibrate)
010830-001	Replacement oi Reflector Plates for X3301 with Stainless Steel plate (requires Inspector Connector to calibrate)

**NOTE:** Refer to Instruction Manual 95-8530 to determine the correct oi Replacement Plate.

## DEVICE REPAIR AND RETURN

Prior to returning devices, contact the nearest local Detector Electronics office so that a Return Material Identification (RMI) number can be assigned. **A written statement describing the malfunction must accompany the returned device or component to assist and expedite finding the root cause of the failure.**

Pack the unit properly. Always use sufficient packing material. Where applicable, use an antistatic bag as protection from electrostatic discharge.

### NOTE

*Det-Tronics reserves the right to apply a service charge for repairing returned product damaged as a result of improper packaging.*

Return all equipment transportation prepaid to the factory in Minneapolis.

### NOTE

*It is highly recommended that a complete spare be kept on hand for field replacement to ensure continuous protection.*

## ORDERING INFORMATION

When ordering, please specify:

X3301 Multispectrum IR Flame Detector with Pulse Output  
Refer to the X3301 Model Matrix for details

Q9033 Mounting Arm is required:

- Q9033A for aluminum detectors only
- Q9033B for aluminum and stainless steel detectors

### ACCESSORIES

Part Number	Description
000511-029	Converter RS485 to RS232
103881-001	Converter RS485 to USB
007819-001	W6300B1002 Serial Inspector Connector (Inspector Monitor software included)
007819-002	W6300B1003 USB Inspector Connector (Inspector Monitor software included)
009207-001	Flame Inspector Monitor CD
102740-002	Magnet
008082-001	Magnet and Adapter for Extension Pole
007739-001	Magnet and Extension Pole
007240-001	Q1116A1001, Air Shield (AL)
007818-001	Q1118A1001 Aluminum Air Shield/Flange Mount (AL)
007818-002	Q1118S1001 Stainless Steel Air Shield/Flange Mount (SS)
009177-001	Q1120A1001 Paint Shield mounting ring (AL)
010857-001	Q1130A1001 Flange Mount Assembly
006097-001	Q1201 Laser
102871-001	Laser Battery, 3V Lithium (laser)
007255-001	Q1201C1001 X-Series Laser Holder (AL/Plastic)
007338-001	Q2000A1001 X-Series Weather Shield (AL)
007338-010	Q2033A10R X3301/X3302 FOV Limiter 10° (AL)
007338-020	Q2033A20R X3301/X3302 FOV Limiter 20° (AL)
007338-030	Q2033A30R X3301/X3302 FOV Limiter 30° (AL)
007912-010	Spare Restrictor Plate 10° (AL)
007912-020	Spare Restrictor Plate 20° (AL)
007912-030	Spare Restrictor Plate 30° (AL)
007290-001	Q9033B Stainless Steel Mounting Arm Assembly is for aluminum and stainless steel detectors
007290-002	Q9033A Aluminum Mounting Arm Assembly is for aluminum detectors only
011385-001	Q9033 Collar Attachment
101197-001	Stop Plug, 3/4" NPT, AL
101197-004	Stop Plug, 3/4" NPT, SS
101197-005	Stop Plug, M25, AL, IP66
101197-003	Stop Plug, M25, SS, IP66
010816-001	Stop Plug, 20 Pack, 3/4" NPT, AL
010817-001	Stop Plug, 20 Pack, 3/4" NPT, SS
010818-001	Stop Plug, 20 Pack, M25, AL, IP66
010819-001	Stop Plug, 20 Pack, M25, SS, IP66
103363-001	14 mm Hex Wrench (Steel)
103406-001	Screwdriver
107427-040	O-ring - Rear Cover (Viton)
005003-001	1 oz grease for detectors (non-silicon)
001680-001	Window cleaner (6 pack)

**X3301 MODEL MATRIX**

MODEL	DESCRIPTION	
<b>X3301</b>	Multispectrum IR Flame Detector	
	TYPE	MATERIAL
	<b>A</b>	Aluminum
	<b>S</b>	Stainless Steel (316)
	TYPE	THREAD TYPE
	<b>4M</b>	4 PORT, Metric M25
	<b>4N</b>	4 PORT, 3/4" NPT
	TYPE	OUTPUTS
	<b>15</b>	Relay and Pulse
	TYPE	APPROVALS
	<b>B</b>	INMETRO (Brazil)
	<b>R</b>	VNIIPO/VNIIFTRI (Russia)
	<b>W</b>	FM/CSA/ATEX/CE/IECEX
	TYPE	CLASSIFICATION
	<b>1</b>	Division/Zone Ex d e
<b>2</b>	Division/Zone Ex d	

# APPENDIX A

## FM APPROVAL AND PERFORMANCE REPORT

THE FOLLOWING ITEMS, FUNCTIONS AND OPTIONS DESCRIBE THE FM APPROVAL:

- Explosion-proof for Class I, Div. 1, Groups B, C and D (T4A) Hazardous (Classified) Locations per FM 3615.
- Dust-ignition proof for Class II/III, Div. 1, Groups E, F and G (T4A) Hazardous (Classified) Locations per FM 3615.
- Nonincendive for Class I, Div. 2, Groups A, B, C and D (T3C) Hazardous (Classified) Locations per FM 3611.
- Nonincendive for Class II, Div. 2, Groups F and G (T3C) Hazardous (Classified) Locations per FM 3611.
- Enclosure rating NEMA/Type 4X per NEMA 250.
- Ambient Temperature Limits: –40°F to +167°F (–40°C to +75°C).
- Automatic Fire Alarm Signaling Performance verified per FM 3260 (2000).

Flameproof per ANSI/ISA 60079-0, -1, -7, -31

for Class I, Zone 1 -

AEx d e IIC Gb; T6 (Tamb –40°C to +60°C); T5 (Tamb –40°C to +75°C)

AEx d IIC Gb; T6 (Tamb –40°C to +60°C); T5 (Tamb –40°C to +75°C)

for Zone 21 -

AEx tb T130°C Db

Tamb –40°C to +75°C

Degree of protection provided by Enclosure IP66/67, Hazardous Locations for use in the U.S.

The following accessories are FM approved for use with the X3301 Flame Detector:

Part Number	Description
102740-002	Magnet
007739-001	Magnet and Extension Pole
010857-001	Q1130A1001 Flange Mount Assembly
007290-001	Q9033B Stainless Steel Mounting Arm Assembly is for aluminum and stainless steel detectors
007290-002	Q9033A Aluminum Mounting Arm Assembly is for aluminum detectors only
011385-001	Q9033 Collar Attachment

The following performance criteria were verified:

### AUTOMATIC OPTICAL INTEGRITY TEST:

The detector generated an optical fault in the presence of contamination on any single or combination of lens surfaces resulting in a loss of approximately 50% of its detection range, verifying that the detector performs a calibrated Automatic **oi** test for each sensor. Upon removal of the contamination, the detector fault was cleared and the detector was verified to detect a fire.

### MANUAL OPTICAL INTEGRITY TEST:

The Manual / Magnetic **oi** performs the same calibrated test as the Automatic **oi**, and additionally actuates the alarm relay to verify output operation. If there is a 50% loss of its detection range, an alarm signal is not generated.

The **oi** test procedure, as described in the “Magnetic **oi** / Manual **oi**” section of this instruction manual, is the approved external optical test method for this detector to verify end-to-end detector function. This test replaces the function and need of a traditional external test lamp.

## FM Approval and Performance Report – Continued

### RESPONSE CHARACTERISTICS

#### Very High Sensitivity

Fuel	Size	Distance feet (m)	Average Response Time (seconds)
n-Heptane	1 x 1 foot	210 (64)*	11
n-Heptane**	1 x 1 foot	210 (64)*	6
n-Heptane	1 x 1 foot	100 (30.5)	3
n-Heptane	6 in. x 6 in.	80 (24.4)	3
Isopropanol	6 in. x 6 in.	70 (21.3)	4
Diesel**	1 x 1 foot	150 (45.7)*	14
Ethanol	1 x 1 foot	210 (64)	11
Methanol	6 in. x 6 in.	40 (12.2)	3
Methanol	1 x 1 foot	150 (45.7)*	18
Methanol**	1 x 1 foot	150 (45.7)*	7
Methane	30 inch plume	100 (30.5)	3
JP-5**	1 x 1 foot	150 (45.7)*	2
JP-5**	2 x 2 feet	210 (64)*	4
JP-5**	2 x 2 feet	100 (30.5)	2
Office Paper 0.5 lb.	19" x 19" x 8"	100 (30.5)	4
Corrugated Panel	18" x 36"	100 (30.5)	8

\* Outdoor test condition

\*\* Pre-burn from ignition

#### Medium Sensitivity

Fuel	Size	Distance feet (m)	Average Response Time (seconds)
n-Heptane	1 x 1 foot	100 (30.5)	12
n-Heptane	1 x 1 foot	50 (15.2)	2
Diesel**	1 x 1 foot	70 (21.3)	4
Ethanol	1 x 1 foot	85 (25.9)	13
Methanol	1 x 1 foot	70 (21.3)	10
Methane	30 inch plume	65 (19.8)	3
Methane	30 inch plume	55 (16.8)	2
JP-5**	2 x 2 feet	100 (30.5)	3
Office Paper 0.5 lb.	19" x 19" x 8"	50 (15.2)	6
Corrugated Panel	18" x 36"	50 (15.2)	2

\*\* Pre-burn from ignition

#### T-Low Sensitivity

Fuel	Size	Distance feet (m)	Average Response Time (seconds)
n-Heptane	1 x 1 foot	50 (15.2)	7
Methanol	1 x 1 foot	20 (6.1)	5
Methane	32 inch plume	15 (4.6)	4

#### Low Sensitivity

Fuel	Size	Distance feet (m)	Average Response Time (seconds)
n-Heptane	1 x 1 foot	50 (15.2)	10
Methanol	1 x 1 foot	20 (6.1)	10
Methane	32 inch plume	15 (4.6)	9



**FM Approval and Performance Report – Continued**

**RESPONSE CHARACTERISTICS IN THE PRESENCE OF FALSE ALARM SOURCES**

**Very High Sensitivity**

<b>False Alarm Source</b>	<b>Distance feet (m)</b>	<b>Fire Source</b>	<b>Distance feet (m)</b>	<b>Average Response Time (seconds)</b>
Sunlight, direct, modulated, reflected	—	6-inch propane	6 (1.8)	< 10
Vibration	N/A	3-inch propane	10.5 (3.2)	< 10
Radio frequency interference	1 (0.3)	3-inch propane	12 (3.7)	< 10
Arc welding, #7014	40 (12.2)	1 x 1 foot n-Heptane	40 (12.2)	4
6 kw heater, modulated	80 (24.4)	1 x 1 foot n-Heptane	80 (24.4)	2
6 kw heater, unmodulated	10 (3)	1 x 1 foot n-Heptane	80 (24.4)	3
250 w vapor lamp, modulated	3 (0.9)	1 x 1 foot n-Heptane	80 (24.4)	2
300 w incandescent lamp, modulated	3 (0.9)	1 x 1 foot n-Heptane	80 (24.4)	7
500 w shielded quartz halogen lamp, modulated	8 (2.4)	1 x 1 foot n-Heptane	80 (24.4)	2
500 w unshielded quartz halogen lamp, modulated	8 (2.4)	1 x 1 foot n-Heptane	80 (24.4)	3
1500 w electric radiant heater, modulated	10 (3)	1 x 1 foot n-Heptane	80 (24.4)	5
Two 34 w fluorescent lamps, modulated	3 (0.9)	1 x 1 foot n-Heptane	80 (24.4)	3

**Medium Sensitivity**

<b>False Alarm Source</b>	<b>Distance feet (m)</b>	<b>Fire Source</b>	<b>Distance feet (m)</b>	<b>Average Response Time (seconds)</b>
Sunlight, direct, modulated, reflected	—	6-inch propane	6 (1.8)	< 4
Vibration*	N/A	N/A	N/A	N/A
Radio frequency interference	1 (0.3)	6-inch propane	6 (1.8)	< 1
Arc welding, #7014	10 (3)	1 x 1 foot n-Heptane	40 (12.2)	4
6 kw heater, modulated	60 (18.3)	1 x 1 foot n-Heptane	60 (18.3)	2
6 kw heater, unmodulated	10 (3)	1 x 1 foot n-Heptane	60 (18.3)	2
250 w vapor lamp, modulated	3 (0.9)	1 x 1 foot n-Heptane	60 (18.3)	1
300 w incandescent lamp, modulated	3 (0.9)	1 x 1 foot n-Heptane	60 (18.3)	1
500 w shielded quartz halogen lamp, modulated	8 (2.4)	1 x 1 foot n-Heptane	60 (18.3)	1
500 w unshielded quartz halogen lamp, modulated	8 (2.4)	1 x 1 foot n-Heptane	60 (18.3)	1
1500 w electric radiant heater, modulated	10 (3)	1 x 1 foot n-Heptane	60 (18.3)	6
Two 34 w fluorescent lamps, modulated	3 (0.9)	1 x 1 foot n-Heptane	60 (18.3)	2

\* Fire was verified with very high sensitivity only

**FM Approval and Performance Report – Continued**

**T-Low Sensitivity**

<b>False Alarm Source</b>	<b>Distance feet (m)</b>	<b>Fire Source</b>	<b>Distance feet (m)</b>	<b>Average Response Time (seconds)</b>
Sunlight, direct, unmodulated, reflected*	—	1 x 1 foot n-Heptane	35 (10.7)	< 6
Sunlight, direct, modulated, reflected*	—	1 x 1 foot n-Heptane	15 (4.6)	< 4
Arc welding, steady, #7014	5 (1.5)	1 x 1 foot n-Heptane	50 (15.2)	10
Arc welding, modulated, #7014	5 (1.5)	1 x 1 foot n-Heptane	30 (9.1)	3
70 w sodium vapor, unmodulated	3 (0.9)	1 x 1 foot n-Heptane	50 (15.2)	6
70 w sodium vapor, modulated	3 (0.9)	1 x 1 foot n-Heptane	50 (15.2)	7
250 w vapor lamp, unmodulated	3 (0.9)	1 x 1 foot n-Heptane	50 (15.2)	8
250 w vapor lamp, modulated	3 (0.9)	1 x 1 foot n-Heptane	50 (15.2)	6
300 w incandescent lamp, unmodulated	3 (0.9)	1 x 1 foot n-Heptane	50 (15.2)	7
300 w incandescent lamp, modulated	3 (0.9)	1 x 1 foot n-Heptane	50 (15.2)	8
500 w shielded quartz halogen lamp, unmodulated	3 (0.9)	1 x 1 foot n-Heptane	50 (15.2)	4
500 w shielded quartz halogen lamp, modulated	10 (3)	1 x 1 foot n-Heptane	50 (15.2)	5
1500 w electric radiant heater, unmodulated	3 (0.9)	1 x 1 foot n-Heptane	50 (15.2)	5
1500 w electric radiant heater, modulated	10 (3)	1 x 1 foot n-Heptane	30 (9.1)	7
Two 34 w fluorescent lamps, unmodulated	3 (0.9)	1 x 1 foot n-Heptane	50 (15.2)	5
Two 34 w fluorescent lamps, modulated	3 (0.9)	1 x 1 foot n-Heptane	50 (15.2)	4

\* Outdoor test conditions

**Low Sensitivity**

<b>False Alarm Source</b>	<b>Distance feet (m)</b>	<b>Fire Source</b>	<b>Distance feet (m)</b>	<b>Average Response Time (seconds)</b>
Sunlight, direct, unmodulated, reflected*	—	1 x 1 foot n-Heptane	35 (10.7)	< 13
Sunlight, direct, modulated, reflected*	—	1 x 1 foot n-Heptane	15 (4.6)	< 14
Arc welding, steady, #7014	5 (1.5)	1 x 1 foot n-Heptane	50 (15.2)	11
Arc welding, modulated, #7014	5 (1.5)	1 x 1 foot n-Heptane	30 (9.1)	10
70 w sodium vapor, modulated	3 (0.9)	1 x 1 foot n-Heptane	50 (15.2)	16
250 w vapor lamp, modulated	3 (0.9)	1 x 1 foot n-Heptane	50 (15.2)	18
300 w incandescent lamp, modulated	3 (0.9)	1 x 1 foot n-Heptane	50 (15.2)	18
500 w shielded quartz halogen lamp, unmodulated	3 (0.9)	1 x 1 foot n-Heptane	50 (15.2)	12
500 w shielded quartz halogen lamp, modulated	10 (3)	1 x 1 foot n-Heptane	50 (15.2)	11
1500 w electric radiant heater, unmodulated	3 (0.9)	1 x 1 foot n-Heptane	50 (15.2)	12
1500 w electric radiant heater, modulated	10 (3)	1 x 1 foot n-Heptane	30 (9.1)	11
Two 34 w fluorescent lamps, modulated	3 (0.9)	1 x 1 foot n-Heptane	50 (15.2)	14

\* Outdoor test conditions

## FM Approval and Performance Report – Continued

### FALSE ALARM IMMUNITY

#### Very High Sensitivity

False Alarm Source	Distance feet (m)	Modulated Response	Unmodulated Response
Sunlight, direct, reflected	—	No alarm	No alarm
Vibration	N/A	No alarm	N/A
Radio frequency interference	1 (0.3)	No alarm (keyed)	No alarm (steady)
Arc welding	40 (12.2)	No alarm	No alarm
6 kw heater	3 (0.9)	No alarm	No alarm
250 w vapor lamp	3 (0.9)	No alarm	No alarm
300 w incandescent lamp	3 (0.9)	No alarm	No alarm
500 w unshielded quartz halogen lamp	8 (2.4)	No alarm	No alarm
500 w shielded quartz halogen lamp	8 (2.4)	No alarm	No alarm
1500 w electric radiant heater	3 (0.9)	No alarm	No alarm
Two 34 w fluorescent lamps	3 (0.9)	No alarm	No alarm

#### Medium Sensitivity

False Alarm Source	Distance feet (m)	Modulated Response	Unmodulated Response
Sunlight, direct, reflected	—	No alarm	No alarm
Vibration	N/A	No alarm	N/A
Radio frequency interference	1 (0.3)	No alarm (keyed)	No alarm (steady)
Arc welding	10 (3)	No alarm	No alarm
6 kw heater	3 (0.9)	No alarm	No alarm
250 w vapor lamp	3 (0.9)	No alarm	No alarm
300 w incandescent lamp	3 (0.9)	No alarm	No alarm
500 w unshielded quartz halogen lamp	8 (2.4)	No alarm	No alarm
500 w shielded quartz halogen lamp	3 (0.9)	No alarm	No alarm
1500 w electric radiant heater	3 (0.9)	No alarm	No alarm
Two 34 w fluorescent lamps	3 (0.9)	No alarm	No alarm

#### T-Low Sensitivity

False Alarm Source	Distance feet (m)	Modulated Response	Unmodulated Response
Sunlight, direct, reflected	—	No alarm	No alarm
Vibration	—	No alarm	No alarm
Arc welding	5 (1.5)	No alarm	No alarm
6 kw heater	3 (0.9)	No alarm	No alarm
70 w sodium vapor	3 (0.9)	No alarm	No alarm
250 w vapor lamp	3 (0.9)	No alarm	No alarm
300 w incandescent lamp	3 (0.9)	No alarm	No alarm
500 w shielded quartz halogen lamp	3 (0.9)	No alarm	No alarm
1500 w electric radiant heater	3 (0.9)	No alarm	No alarm
Two 34 w fluorescent lamps	3 (0.9)	No alarm	No alarm

#### Low Sensitivity

False Alarm Source	Distance feet (m)	Modulated Response	Unmodulated Response
Sunlight, direct, reflected	—	No alarm	No alarm
Vibration	—	No alarm	No alarm
Radio frequency interference	N/A	No alarm	N/A
Arc welding	5 (1.5)	No alarm	No alarm
6 kw heater	3 (0.9)	No alarm	No alarm
250 w vapor lamp	3 (0.9)	No alarm	No alarm
300 w incandescent lamp	3 (0.9)	No alarm	No alarm
500 w shielded quartz halogen lamp	3 (0.9)	No alarm	No alarm
1500 w electric radiant heater	3 (0.9)	No alarm	No alarm
Two 34 w fluorescent lamps	3 (0.9)	No alarm	No alarm

**FM Approval and Performance Report – Continued**

**FIELD OF VIEW**

**Very High Sensitivity**

<b>Fuel</b>	<b>Size</b>	<b>Distance feet (m)</b>	<b>Horizontal (degrees)</b>	<b>Avg. Horiz. Response Time (seconds)</b>	<b>Vertical (degrees)</b>	<b>Avg. Vert. Response Time (seconds)</b>
n-Heptane	1 x 1 foot	150* (45.7)	+45 -45	12 14	+45 -30	13 5
n-Heptane	1 x 1 foot	100 (30.5)	+45 -45	6 3	+45 -30	3 2
n-Heptane	6 in. x 6 in.	80 (24.4)	+45 -45	5 6	+45 -30	4 4
Isopropanol	6 in. x 6 in.	70 (21.3)	+45 -45	5 5	+45 -30	4 6
Diesel**	1 x 1 foot	100 (30.5)	+45 -45	2 3	+45 -30	4 3
Ethanol	1 x 1 foot	150 (45.7)	+45 -45	13 10	+45 -30	10 8
Methanol	6 in. x 6 in.	40 (12.2)	+45 -45	4 6	+45 -30	3 3
Methanol	1 x 1 foot	110 (33.5)	+45 -45	9 7	+45 -30	9 3
Methane	30 inch plume	100 (30.5)	+45 -45	7 3	+45 -30	2 2
JP-5**	1 x 1 foot	100 (30.5)	+45 -45	2 4	+45 -30	3 2
JP-5**	2 x 2 feet	180* (54.9)	+45 -45	2 5	+45 -30	3 2
JP-5**	2 x 2 feet	90 (27.4)	+45 -45	2 3	+45 -30	1 2
Office Paper 0.5 lb.	19" x 19" x 8"	80 (24.4)	+45 -45	4 2	+45 -30	2 1
Corrugated Panel	18" x 36"	80 (24.4)	+45 -45	1 1	+45 -30	3 2

\* Outdoor test condition

\*\* Pre-burn from ignition

**FM Approval and Performance Report – Continued**

**Medium Sensitivity**

<b>Fuel</b>	<b>Size</b>	<b>Distance feet (m)</b>	<b>Horizontal (degrees)</b>	<b>Avg. Horiz. Response Time (seconds)</b>	<b>Vertical (degrees)</b>	<b>Avg. Vert. Response Time (seconds)</b>
n-Heptane	1 x 1 foot	75 (22.9)	+45 -45	9 6	+45 -30	10 7
n-Heptane	1 x 1 foot	50 (15.2)	+45 -45	4 3	+45 -30	3 3
Diesel**	1 x 1 foot	60 (18.3)	+45 -45	4 4	+45 -30	4 2
Ethanol	1 x 1 foot	60 (18.2)	+45 -45	12 9	+45 -30	12 9
Methanol	1 x 1 foot	50 (15.2)	+45 -45	9 3	+45 -30	9 1
Methane	32 inch plume	45 (13.7)	+45 -45	3 3	+45 -30	7 1
JP-5**	2 x 2 feet	90 (27.4)	+45 -45	4 2	+45 -30	2 2
Office Paper 0.5 lb.	19" x 19" x 8"	40 (12.2)	+45 -45	2 1	+45 -30	1 1
Corrugated Panel	18" x 36"	40 (12.2)	+45 -45	2 1	+45 -30	1 1

\*\* Pre-burn from ignition

**T-Low Sensitivity**

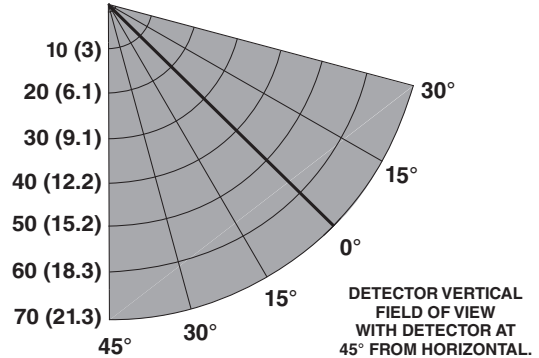
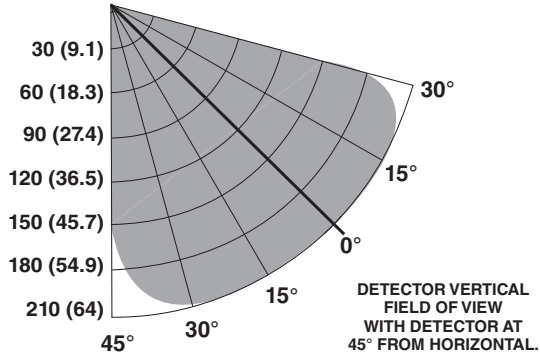
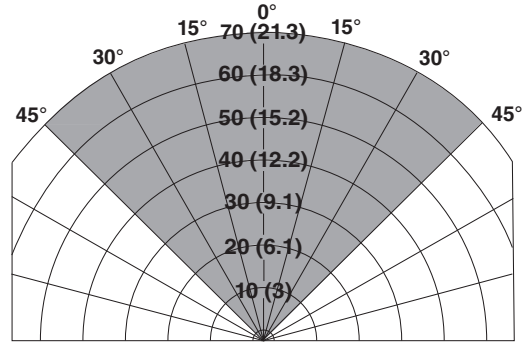
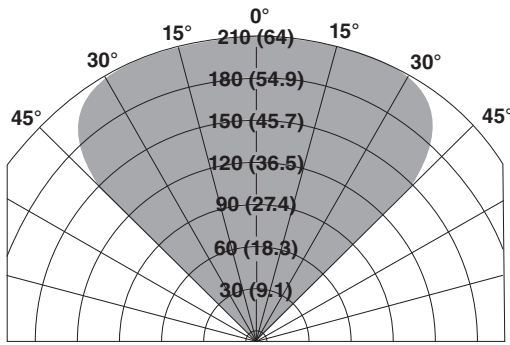
<b>Fuel</b>	<b>Size</b>	<b>Distance feet (m)</b>	<b>Horizontal (degrees)</b>	<b>Avg. Horiz. Response Time (seconds)</b>	<b>Vertical (degrees)</b>	<b>Avg. Vert. Response Time (seconds)</b>
n-Heptane	1 x 1 foot	35 (10.7)	+45 -45	7 7	+45 -30	7 7
Methanol	1 x 1 foot	15 (4.6)	+45 -45	5 5	+45 -30	5 5
Methane	32 inch plume	15 (4.6)	+45 -45	4 4	+45 -30	4 4

**Low Sensitivity**

<b>Fuel</b>	<b>Size</b>	<b>Distance feet (m)</b>	<b>Horizontal (degrees)</b>	<b>Avg. Horiz. Response Time (seconds)</b>	<b>Vertical (degrees)</b>	<b>Avg. Vert. Response Time (seconds)</b>
n-Heptane	1 x 1 foot	35 (10.7)	+45 -45	13 13	+45 -30	9 18
Methanol	1 x 1 foot	15 (4.6)	+45 -45	14 12	+45 -30	10 8
Methane	32 inch plume	15 (4.6)	+45 -45	10 11	+45 -30	8 10

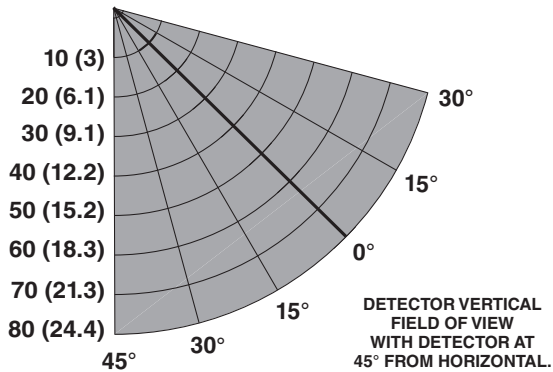
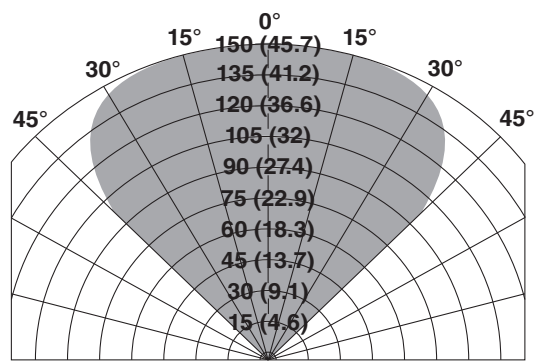
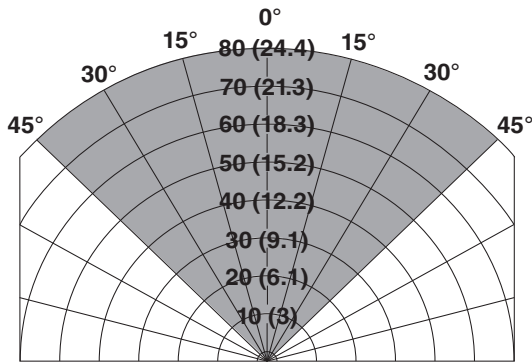
FM Approval and Performance Report – Continued

HIGH RESOLUTION FIELD OF VIEW



Field of View at Indicated Distance in Feet (m) for n-Heptane at Very High Sensitivity (1 x 1 foot)

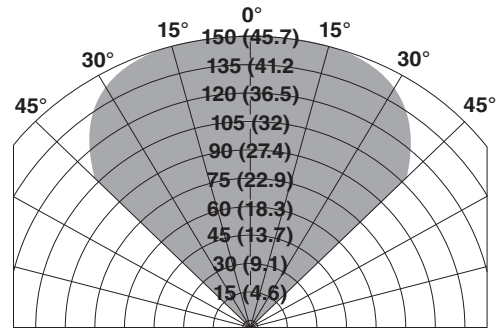
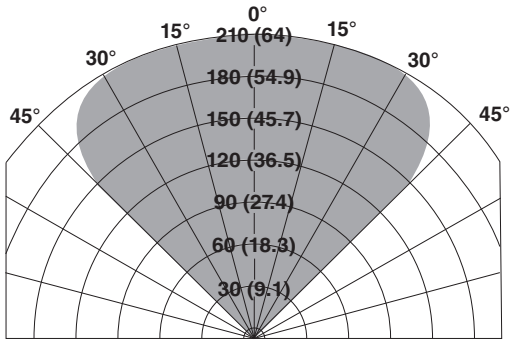
Field of View at Indicated Distance in Feet (m) for Isopropanol at Very High Sensitivity (6 in. x 6 in.)



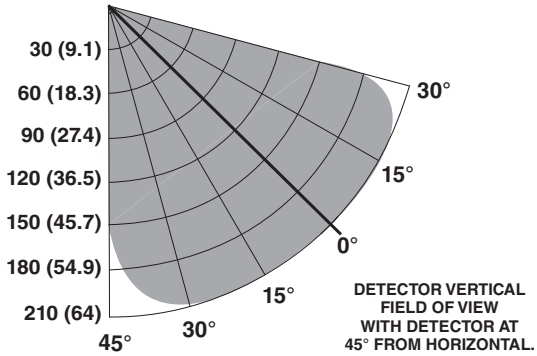
Field of View at Indicated Distance in (m) Feet for Diesel at Very High Sensitivity (1 x 1 foot)

Field of View at Indicated Distance in (m) Feet for n-Heptane at Very High Sensitivity (6 in. x 6 in.)

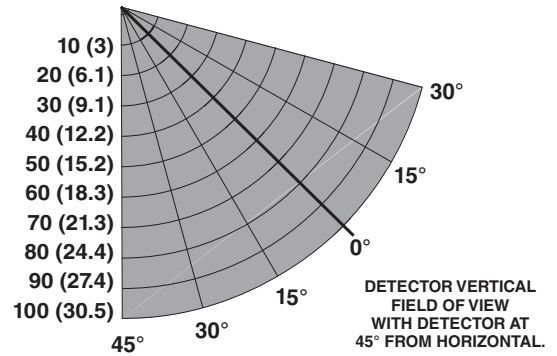
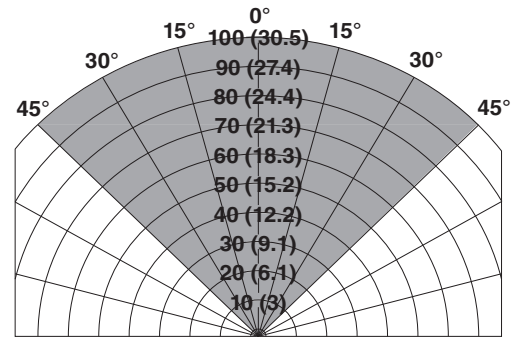
FM Approval and Performance Report – Continued



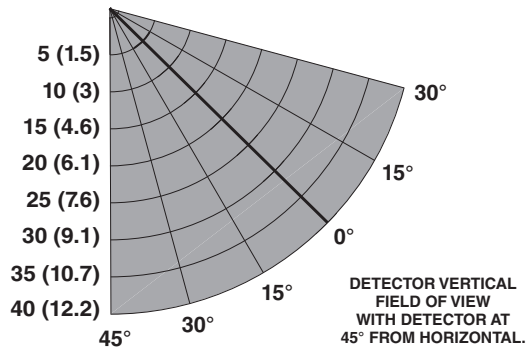
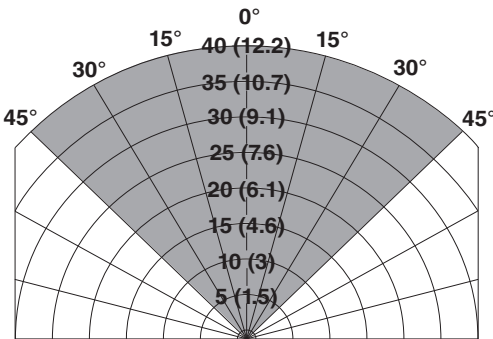
Field of View at Indicated Distance in Feet (m) for **Methanol** at **Very High** Sensitivity (1 x 1 foot)



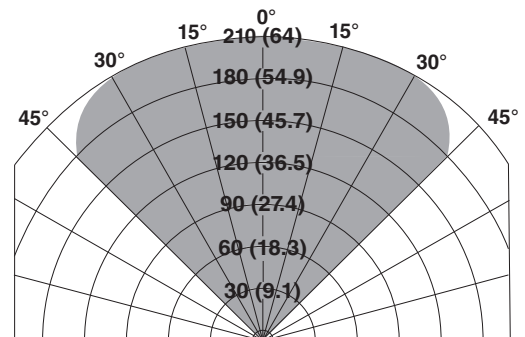
Field of View at Indicated Distance in Feet (m) for **Ethanol** at **Very High** Sensitivity (1 x 1 foot)



Field of View at Indicated Distance in Feet (m) for **Methane** at **Very High** Sensitivity (30 inch plume)

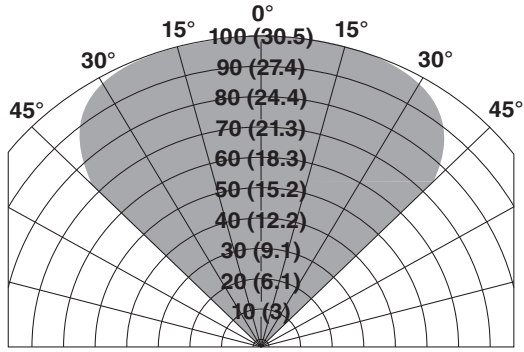


Field of View at Indicated Distance in Feet (m) for **Methanol** at **Very High** Sensitivity (6 in. x 6 in.)

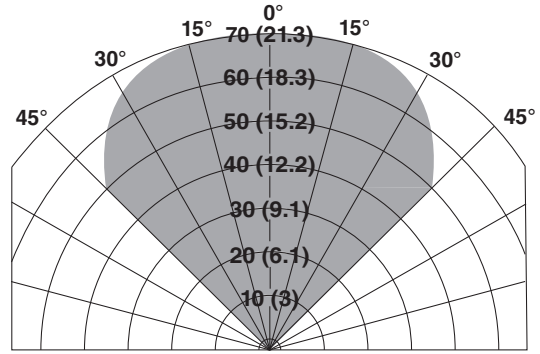


Field of View at Indicated Distance in Feet (m) for **JP-5** at **Very High** Sensitivity (2 x 2 feet)

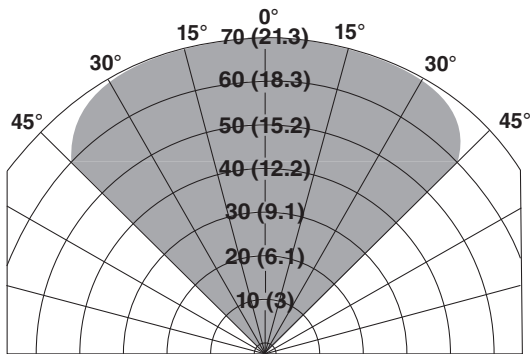
**FM Approval and Performance Report – Continued**



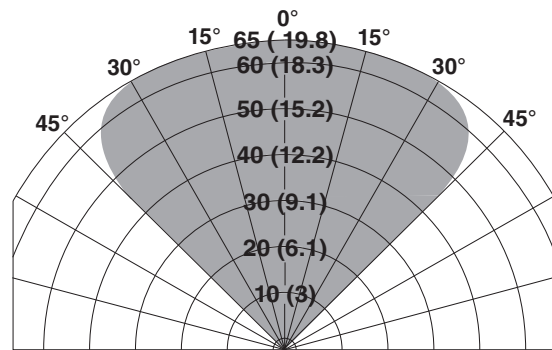
Field of View at Indicated Distance in Feet (m) for **n-Heptane** at **Medium** Sensitivity (1 x 1 foot)



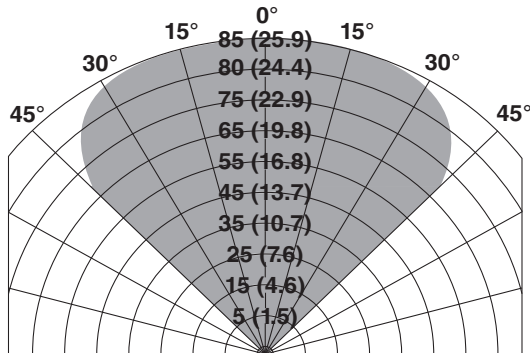
Field of View at Indicated Distance in Feet (m) for **Methanol** at **Medium** Sensitivity (1 x 1 foot)



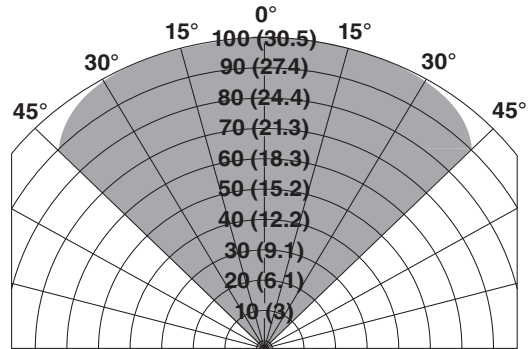
Field of View at Indicated Distance in Feet (m) for **Diesel** at **Medium** Sensitivity (1 x 1 foot)



Field of View at Indicated Distance in Feet (m) for **Methane** at **Medium** Sensitivity (30 inch plume)



Field of View at Indicated Distance in Feet (m) for **Ethanol** at **Medium** Sensitivity (1 x 1 foot)



Field of View at Indicated Distance in Feet (m) for **JP-5** at **Medium** Sensitivity (2 x 2 foot)

**NOTE**

*FM Approvals minimum requirements are response distance measurements at 0° (on axis) and the limits of the field of view. These high resolution field of view diagrams show the measured response distances at all the indicated angles in the horizontal plane.*



# APPENDIX B

## CSA APPROVAL

Multispectrum IR Flame Detector/Controller X3301 Series, rated 18-30 Vdc, 4.6 Watts to 17 Watts.  
Relay contacts rated 30 Vdc, 5 Amps.

### NOTE

*Hazardous location testing has been successfully completed on the Model X3301 series from an ambient temperature range of -55°C to +125°C; however, the detector label marking indicates -40°C to +75°C.*

The following accessories are CSA approved for use with the X3301 Flame Detector:

Part Number	Description
102740-002	Magnet
007739-001	Magnet and Extension Pole
010857-001	Q1130A1001 Flange Mount Assembly
007290-001	Q9033B Stainless Steel Mounting Arm Assembly is for aluminum and stainless steel detectors
007290-002	Q9033A Aluminum Mounting Arm Assembly is for aluminum detectors only
011385-001	Q9033 Collar Attachment

### **DIVISION CLASSIFICATION:**

CLASS 4818 04 - SIGNAL APPLIANCES - Systems - For Hazardous Locations  
Class I, Division 1, Groups B, C, and D (T4A); Class II, Division 1, Groups E, F, and G (T4A);  
Class I, Division 2, Groups A, B, C, and D (T3C); Class II, Division 2, Groups F and G (T3C);  
Class III; Enclosure NEMA/Type 4X;  
Conduit seal not required.

### **APPLICABLE REQUIREMENTS**

- CSA Std C22.2 No. 25-1966 – Enclosures for use in Class II Groups E, F & G Hazardous Locations
- CSA Std C22.2 No. 30-M1986 – Explosion-Proof Enclosures for use in Class I Hazardous Locations
- CAN/CSA C22.2 No. 94-M91 – Special Purpose Enclosures
- CSA Std C22.2 No. 142-M1987 – Process Control Equipment
- CSA Std C22.2 No. 213-M1987 – Nonincendive Electrical Equipment for use in Class I, Division 2 Hazardous Locations

### **ZONE CLASSIFICATION:**

CLASS 4818 04 - SIGNAL APPLIANCES - Systems - For Hazardous Locations

Ex d e IIC T5-T6

T6 (Ta -50°C to +60°C)

T5 (Ta -50°C to +75°C)

Seal required adjacent to enclosure.

IP66/IP67.

Ex d IIC T4-T6

T6 (Ta -55°C to +60°C)

T5 (Ta -55°C to +75°C)

T4 (Ta -55°C to +125°C)

Seal required adjacent to enclosure.

IP66/IP67.

### **APPLICABLE REQUIREMENTS**

- CAN/CSA-C22.2 No. 60079-0:07 – Electrical apparatus for explosive gas atmospheres. Part 0: General requirements
- CAN/CSA-C22.2 No. 60079-1:11 – Explosive atmospheres. Part 1: Equipment protection by flameproof enclosures "d"
- CAN/CSA-C22.2 No. 60079-7:12 – Explosive atmospheres. Part 7: Equipment protection by increased safety "e"


# APPENDIX C

## ATEX / CE APPROVAL

### EC-TYPE EXAMINATION CERTIFICATE

#### DEMKO 01 ATEX 130204X

##### Increased Safety Model

CE 0539 

Ex d e IIC T6–T5 Gb


Ex tb IIIC T130°C

T6 (Tamb = –50°C to +60°C)

T5 (Tamb = –50°C to +75°C)

IP66/IP67.

##### Flameproof Model

CE 0539 

Ex d IIC T6–T4 Gb

Ex tb IIIC T130°C

T6 (Tamb = –55°C to +60°C)

T5 (Tamb = –55°C to +75°C)

T4 (Tamb = –55°C to +125°C)

IP66/IP67.

#### Compliance with:

EN 60079-0: 2009

EN 60079-1: 2007

EN 60079-7: 2007

EN 60079-31: 2009

EN/IEC 60529: 2001.

### INSTALLATION INSTRUCTIONS

The field wiring connections in the terminal compartment are ATEX certified and accepts wiring specifications from 14-24 AWG or 2.5-0.2 mm<sup>2</sup>.

The Multispectrum infrared (IR) flame detector type X3301 shall be installed according to the instructions given by the manufacturer.

The cable entry devices shall be certified in type of explosion protection flameproof enclosure “d” for use with the terminal compartment in type of explosion protection flameproof enclosure “d”, or in type of explosion protection increased safety “e” for use with the terminal compartment in type of explosion protection increased safety “e”. They shall be IP66/IP67 rated, suitable for the conditions of use and correctly installed.

Unused entries shall be closed with suitable certified blanking elements.

The metal housing for the Multispectrum infrared (IR) flame detector type X3301 must be electrically connected to earth ground.

For ambient temperatures below –10°C and above +60°C use field wiring suitable for both minimum and maximum ambient temperature.

Special conditions for safe use:

The front window assembly contains a special cemented joint construction. In accordance with EN60079-1 clause 5.1.c, all inspections, repair and/or adjustments to this front window assembly shall be done by Detector Electronics Corporation only.

The EOL resistor can only be used within the flameproof terminal compartment.

EOL resistors must be ceramic, wirewound type, rated 5 watts minimum, with actual power dissipation not to exceed 2.5 watts.

The Multispectrum infrared (IR) flame detector type X3301 is to be installed in places where there is a low risk of mechanical damage.

**NOTE**

Operational performance verified from  $-40^{\circ}\text{C}$  to  $+75^{\circ}\text{C}$ .

**NOTE**

An optional third party addressable module can only be used within the Ex d flameproof model unless the addressable module is component certified as Ex e for use within the Ex d e increased safety model.

**NOTE**

Refer to "EOL Resistors" section for installation details. All cable entry devices and blanking elements shall be certified to "E-generation" or "ATEX" standards, in type of explosion protection increased safety "e" or flameproof enclosure "d" (as applicable), suitable for the conditions of use and correctly installed. They shall maintain the degree of ingress protection IP66/IP67 for the apparatus. Unused conduit entries shall be closed with suitable blanking elements.

**NOTE**

For ATEX installations, the X3301 Flame Detector housing must be electrically connected to earth ground.

The following accessories are ATEX approved for use with the X3301 Flame Detector:

<b>Part Number</b>	<b>Description</b>
007290-001	Q9033B Stainless Steel Mounting Arm Assembly is for aluminum and stainless steel detectors
007290-002	Q9033A Aluminum Mounting Arm Assembly is for aluminum detectors only
011385-001	Q9033 Collar Attachment

# APPENDIX D

## IECEX APPROVAL

### IECEX CERTIFICATE OF CONFORMITY

#### DEMKO

IECEX ULD 06.0017X

Ex d e IIC T6-T5 Gb

Ex tb IIIC T130°C

T6 (Tamb = -50°C to +60°C)

T5 (Tamb = -50°C to +75°C)

IP66/IP67.

or

Ex d IIC T6-T4 Gb

Ex tb IIIC T130°C

T6 (Tamb = -55°C to +60°C)

T5 (Tamb = -55°C to +75°C)

T4 (Tamb = -55°C to +125°C)

IP66/IP67.

#### Compliance with:

IEC 60079-0: 2007, Ed. 5

IEC 60079-1: 2007, Ed. 6

IEC 60079-7: 2006, Ed. 4

IEC 60079-31: 2008, Ed. 1

EN/IEC 60529: 2001.

#### INSTALLATION INSTRUCTIONS

The field wiring connections in the terminal compartment are suitable certified and accepts wiring specifications from 14-24 AWG or 2.5-0.2 mm<sup>2</sup>.

The Multispectrum infrared (IR) flame detector type X3301 shall be installed according to the instructions given by the manufacturer.

The cable entry devices shall be certified in type of explosion protection flameproof enclosure “d” for use with the terminal compartment in type of explosion protection flameproof enclosure “d” or in type of explosion protection increased safety “e” for use with the terminal compartment in type of explosion protection increased safety “e”. They shall be IP66/IP67 rated, suitable for the conditions of use and correctly installed.

Unused entries shall be closed with suitable certified blanking elements.

The metal housing for the Multispectrum infrared (IR) flame detector type X3301 must be electrically connected to earth ground.

For ambient temperatures below -10°C and above +60°C use field wiring suitable for both minimum and maximum ambient temperature.

#### Special conditions for safe use:

The front window assembly contains a special cemented joint construction. In accordance with IEC 60079-1 clause 5.1.c, all inspections, repair and/or adjustments to this front window assembly shall be done by Detector Electronics Corporation only.

The EOL resistor can only be used within the flameproof terminal compartment.

EOL resistors must be ceramic, wirewound type, rated 5 watts minimum, with actual power dissipation not to exceed 2.5 watts.

The Multispectrum infrared (IR) flame detector type X3301 is to be installed in places where there is a low risk of mechanical damage.

The following accessories are IECEx approved for use with the X3301 Flame Detector:

Part Number	Description
007290-001	Q9033B Stainless Steel Mounting Arm Assembly is for aluminum and stainless steel detectors
007290-002	Q9033A Aluminum Mounting Arm Assembly is for aluminum detectors only
011385-001	Q9033 Collar Attachment

# APPENDIX E

## EN54 APPROVALS

AGENCY	Conventional Output		LON Output	
	Certificate/Approval Number	Basis of Approval	Certificate/Approval Number	Basis of Approval
VdS – Constructive Product Directive	0786 – CPD – 20453	EN 54-10 + A1	—	—
VdS	G 202136	VdS 2344 VdS 2504 EN 54-10 + A1	G 212019	VdS 2344 VdS 2504 EN 54-10 + A1 EN 54-17
	S 212002	VdS 2344 EN 54-13	S 212002	VdS 2344 EN 54-13
BRE – Constructive Product Directive	—	—	0832 – CPD – 1381	EN 54-10 + A1 EN 54-17
LPCB	973e/03	EN 54-10 + A1	973a/03	EN 54-10 + A1 EN 54-17

### INSTRUCTIONS FOR THE APPLICATION OF THE APPROVAL COMPONENT/SYSTEM

The installation shall take into account, that the orientation arrow on the flame detector is directed upwards, as the view angle in this direction is <90°.

The IR-flame detector configured to High or Very High sensitivity corresponds to class 1.

The IR-flame detector configured to T-Low or Low sensitivity corresponds to class 2.

The following accessories are EN54-10 and EN54-17 approved for use with the X3301 Flame Detector:

Part Number	Description
102740-002	Magnet
007739-001	Magnet and Extension Pole
007290-001	Q9033B Stainless Steel Mounting Arm Assembly is for aluminum and stainless steel detectors
007290-002	Q9033A Aluminum Mounting Arm Assembly is for aluminum detectors only
011385-001	Q9033 Collar Attachment

# APPENDIX F

## ADDITIONAL APPROVALS

### RUSSIA

#### NOTE

*The following Russian approval applies to existing installations that include Det-Tronics' R7XXX controllers and require a factory replacement of older pulse detectors.*



VNIIPO

CERTIFICATE OF CONFORMITY TO TECHNICAL REGULATIONS, GOST R 53325-2009

### BRAZIL



UL-BR 12.0093X

Ex d e IIC T6-T5 Gb IP66/IP67

Ex tb IIIC T130°C

T6 (Tamb = -50°C to +60°C)

T5 (Tamb = -50°C to +75°C).

- OR -

Ex d IIC T6-T4 Gb IP66/IP67

Ex tb IIIC T130°C

T6 (Tamb = -55°C to +60°C)

T5 (Tamb = -55°C to +75°C)

T4 (Tamb = -55°C to +125°C).



95-8528



FlexSonic® Acoustic  
Leak Detector



X3301 Multispectrum  
IR Flame Detector



PointWatch Eclipse® IR  
Combustible Gas Detector



FlexVu® Universal Display  
with GT3000 Toxic Gas Detector



Eagle Quantum  
Premier®  
Safety System

Specifications subject to change without notice.

All trademarks are the property of their respective owners.

© 2020 Detector Electronics Corporation. All rights reserved.



**Corporate Office**  
6901 West 110<sup>th</sup> Street  
Minneapolis, MN 55438 USA  
[www.det-tronics.com](http://www.det-tronics.com)

Phone: +1 952.941.6665  
Toll-free: +1 800.765.3473  
Fax: 952.829.8750  
[det-tronics@carrier.com](mailto:det-tronics@carrier.com)